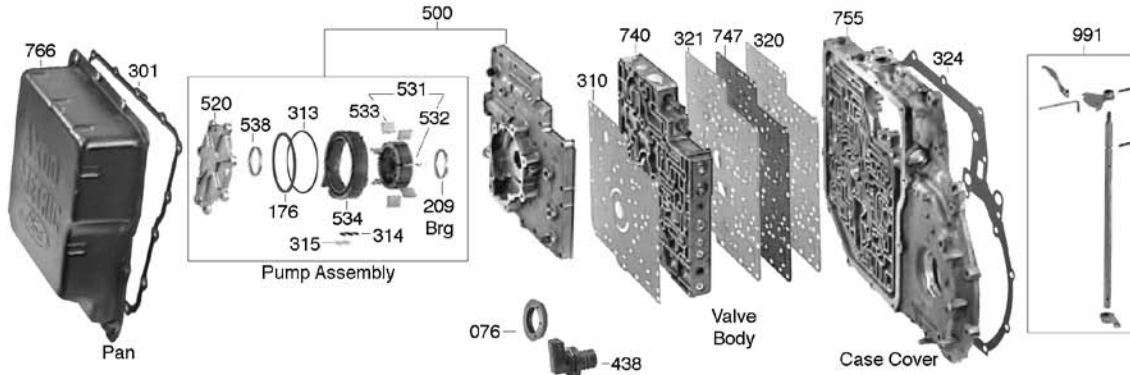
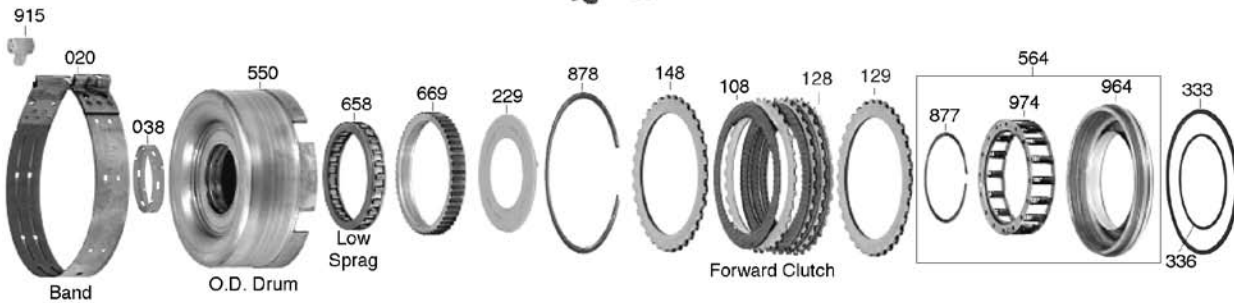


FORD AXOD/E (AX4S) AX4S-HO OVERDRIVE

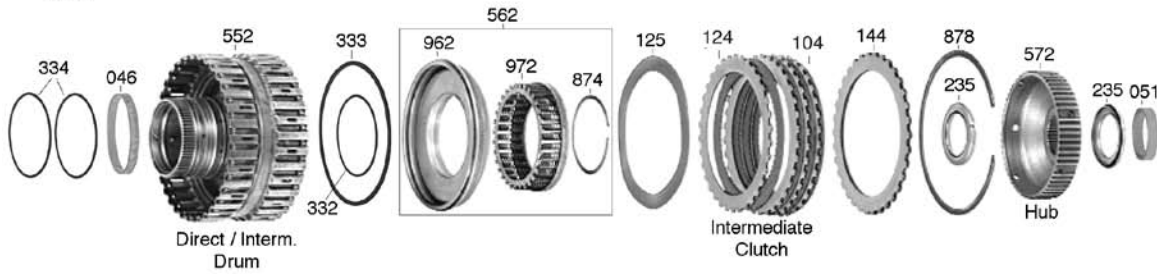
A



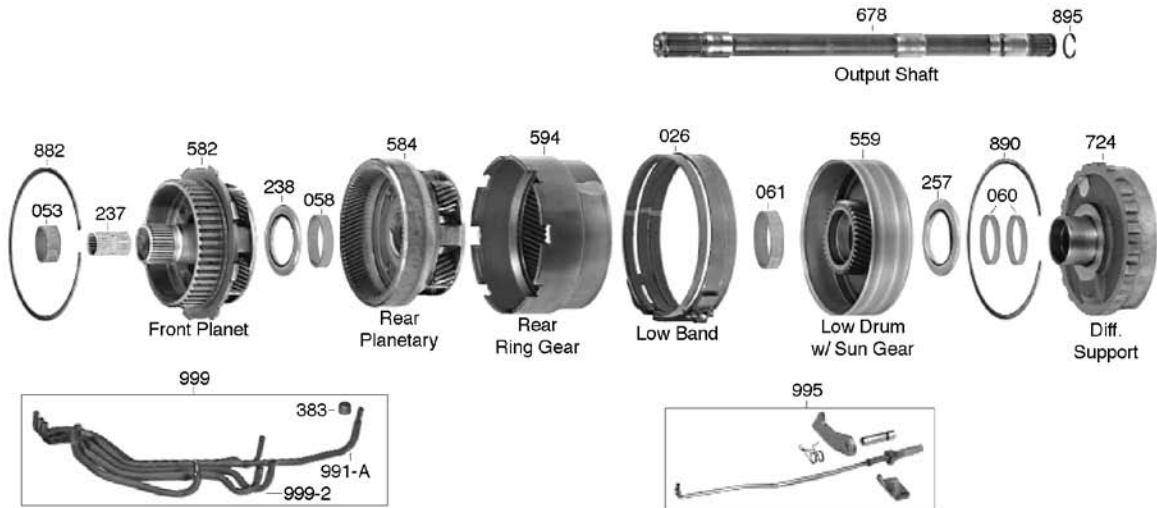
B



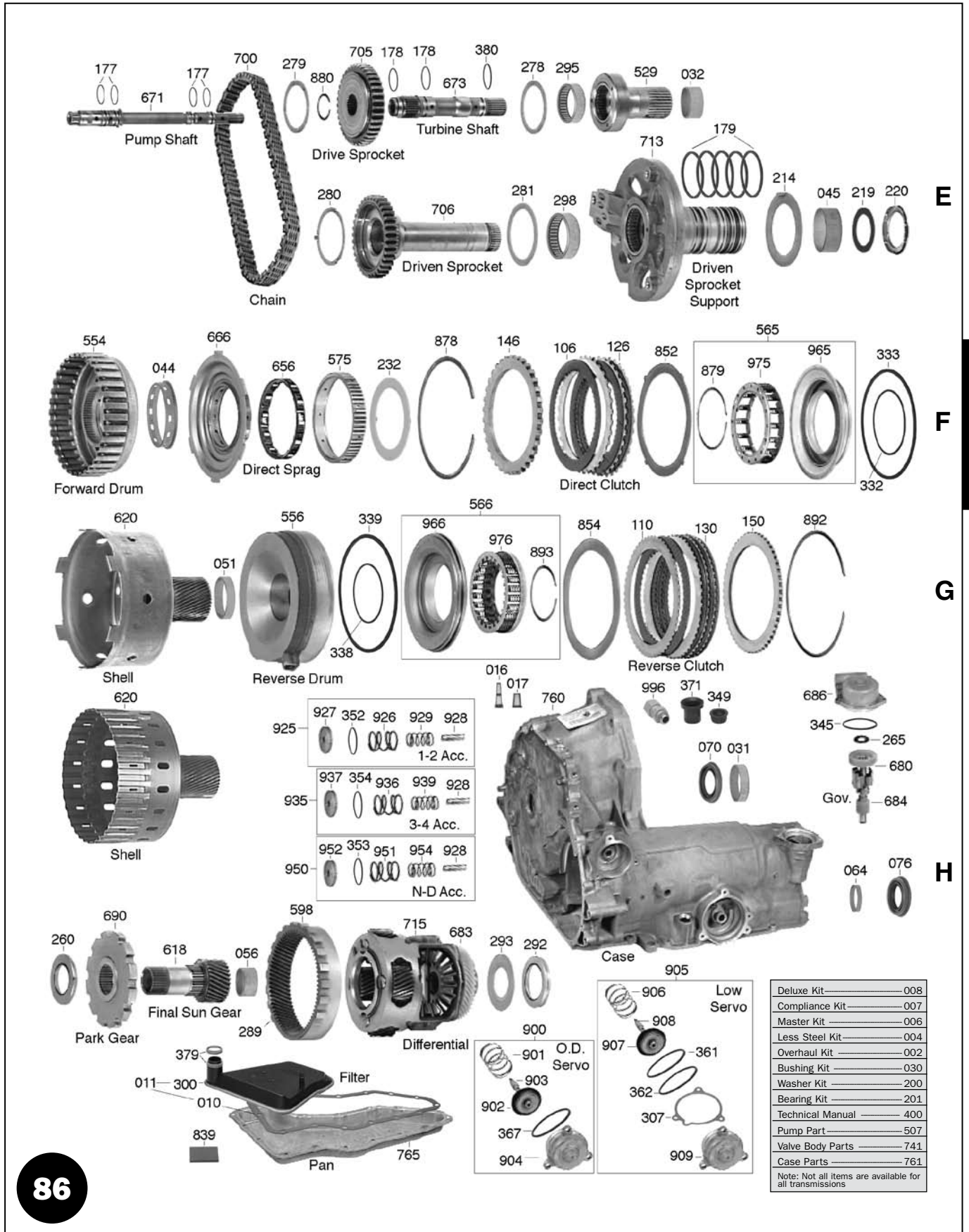
C



D



FORD AXOD/E (AX4S) AX4S-HO OVERDRIVE

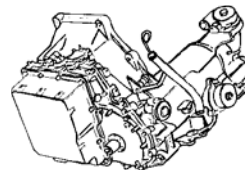


FORD AXOD/E (AX4S) AX4S-HO OVERDRIVE



86010 .250" Orange Seal 86010E .490" Orange Seal 86010H .420" Green Seal

AXOD/E (AX4S)	
Lincoln Continental	88-Up
Sable - Various	86-Up
Taurus - Various	86-Up
Taurus - SHO	91-Up
Windstar	95-Up



Front Wheel Drive

ILL.	DESCRIPTION	QTY.	YEAR	PART NO.	REFERENCE NO.
DELUXE KITS (SUPER KITS) (1) (2)					
008H	AXOD.....	1	86-87	86008	K6700-R
008H	AXOD.....	1	88-90	86008A	K6700A-R
008H	AXODE (AX4S) (w/o Pistons)	1	1991	86008E	N/A
008H	AXODE (AX4S) (w/o Pistons) (3.0L).....	1	92-98	86008EA	K6700E-R
008H	AXODE (AX4S) (w/o Pistons) (3.0L).....	1	99-03	86008EBW	N/A
COMPLIANCE KITS (CALIFORNIA KITS) (1) (2)					
007H	AXOD.....	1	86-90	86007	CK6700-R
007H	AXODE (AX4S) (w/o Pistons)	1	1991	86007E	N/A
007H	AXODE (AX4S) (w/o Pistons) (3.0L).....	1	92-98	86007EA	CK6700E-R
007H	AXODE (AX4S) (w/o Pistons) (3.0L).....	1	99-03	86007EBW	N/A
MASTER OVERHAUL KITS (WITH STEELS) (1) (2)					
006H	AXOD.....	1	86-87	86006	K6700
006H	AXOD.....	1	88-90	86006A	K6700A
006H	AXODE (AX4S) (w/o Pistons)	1	1991	86006E	N/A
006H	AXODE (AX4S) (w/o Pistons) (3.0L).....	1	92-98	86006EA	K6700E/H
006H	AXODE (AX4S) (w/o Pistons) (3.0L).....	1	99-03	86006EBW	K6700J
006H	AXODE (AX4S) (Windstar 3.8L w/ Pistons).....	1	96-98	86006EDF	K6700G
006H	AXODE (AX4S) (Windstar 3.8L w/ Pistons).....	1	99-03	86006ECW	K6700L
LESS STEEL KITS (1) (2)					
004H	AXOD.....	1	86-90	86004	K6700-LS
004H	AXODE (AX4S) (w/o Pistons)	1	1991	86004E	N/A
004H	AXODE (AX4S) (w/o Pistons) (3.0L).....	1	92-98	86004EA	K6700E/H-LS
004H	AXODE (AX4S) (w/o Pistons) (3.0L).....	1	99-03	86004EBW	K6700J-LS
004H	AXODE (AX4S) (Windstar 3.8L w/ Pistons).....	1	96-98	86004EDF	K6700G-LS
004H	AXODE (AX4S) (Windstar 3.8L w/ Pistons).....	1	99-03	86004ECW	K6700L-LS
OVERHAUL KITS (W/ RINGS & SEALS) (1) (2)					
002H	AXOD.....	1	86-90	86002	K67900
002H	AXODE (AX4S) (w/o Pistons)	1	91-98	86002E	K67900E
002H	AXODE (AX4S) (w/o Pistons)	1	99-03	86002EBW	K67900J
GASKET & SEAL KITS (W/O RINGS & SEALS) (1) (2)					
000H	AXOD.....	1	86-90	86000	K67900-1
000H	AXODE (AX4S) (w/o Pistons)	1	91-98	86000E	K67900E-1
PISTON KITS					
960	Bonded Piston Kit, Windstar (3.8L).....	1	96-97	86960K	N/A
960	Bonded Piston Kit, Windstar (3.8L).....	1	98-01	86960AK	N/A
<p><i>(1) - To order 86-98 kits with Fiber pan gaskets, add an "F" suffix. "EBW" kits incl. Bonded pan gaskets. None of these Kits come w/ Pump or Valve Body Bonded Plate Gaskets</i></p> <p><i>(2) - To order Pistons, 96-97 order 86960K, 98-01 order 86960AK</i></p>					

FORD AXOD/E (AX4S) AX4S-HO OVERDRIVE

ILL.	DESCRIPTION	QTY.	YEAR	PART NO.	REFERENCE NO.
FILTER KITS					
011H	Filter Kit, w/ .250" Orange Lip Seal	1	86-95	86011	FK67800B
011H	Filter Kit, w/ .490" Orange Lip Seal (Taurus SHO).....	1	93-95	86011E	FK67800C
011H	Filter Kit, w/ .420" Green Lip Seal	1	96-03	86011GW	FK67800D
FILTERS					
010H	Filter, w/ .250" Orange Lip Seal.....	1	86-95	86010	67800B
010H	Filter, w/ .490" Orange Lip Seal (Taurus SHO).....	1	93-95	86010E	67800C
010H	Filter, w/ .420" Green Lip Seal	1	96-03	86010H	67800D
016H	Screen, By-Pass Solenoid	1	86-03	86016	67712
017H	Low/ Intermediate Circuit.....	1	86-03	86017	67712A
BANDS					
Prefix Key: B = Borg Warner, A = OEM (Exc. BW), N = All Other New, R = Relined					
020B	Overdrive (For Band Guide Order 86915)	1	86-03	86020	67520
026D	Low/ Intermediate (1-2) (Exc. below)	1	86-95	86026	67320
026D	Low/ Intermediate (1-2) Mercon Required	1	95-97	86026G	67320A
026D	Low/ Intermediate (1-2) Mercon 5 Required	1	98-03	86026GA	67320B
BUSHINGS					
030H	Bushing Kit	1	86-93	86030	K67901
030H	Bushing Kit	1	94-03	86030A	K67901A
031H	Converter Hub.....	1	86-03	86031	67001
032E	Converter Reactor.....	1-2	86-03	64047	51008
038B	Overdrive Drum (w/ 6 Slots).....	1	86-03	86038	67013
044F	Inner Sprag Race (.500" Wide).....	1	86-03	86044	67011
044F	Inner Sprag Race (.655" Wide).....	1	86-03	86044A	67011A
045E	Driven Sprocket Support	1	86-03	86045	67009
046C	Direct/Intermediate Clutch Drum.....	1	86-03	86046	67008
051C	Sun Shell (1.582"OD).....	2	86-92	86051	67004
051C	Sun Shell (1.613"OD).....	1	93-03	86051A	67004A
051C	Sun Shell (Replaces Bearing # 86241) (After Market)	1	86-03	86051B	67004X
052	Front Planet External (Sun Gear)	1	86-03	86052	N/A
053D	Front Planet.....	1	86-91	86053	67003
053D	Bearing, Front Planet	1	87-03	86241	67003B
053D	Replaces Bearing In Front Planet (After Market)	1	86-03	86053B	67003X
053D	Sleeve, Aluminum Lube Sleeve (Goes Between Front Planet & 4th Clutch Hub).....	1	86-03	86053S	67910
N.I.	Bushing & Sleeve Kit (Bushing # 86053B & 86053S)	1	86-03	86053BK	N/A
056H	Final Drive Sun Gear	1	86-03	86056	67007
058D	Rear Planet	1	86-03	86058	67014
060D	Final Drive Sun Gear Support .842" Wide.....	1	86-03	86060B	67006A
061D	Rear Drum w/ Sun Gear (1.974"OD).....	1	86-91	86061	67005
061D	Rear Drum w/ Sun Gear (2.004"OD).....	1	92-03	86061B	67005A
064H	Rear Case, Final Drive Output Support.....	1	86-03	86064	67012
209A	Replaces Pump Needle Bearing	1	86-03	86209B	N/A
209A	Bearing, Pump Shaft Support.....	1	86-03	86209C	67922A
METAL CLAD SEALS					
070H	Front.....	1	86-03	86070	67200
074	Main Control Shaft	1	86-03	86074	67202
076A	Axle (Both).....	2	86-03	86076	67201
079	Pump Drive.....	1	86-03	86079	67203
FRICION PLATES					
104C	Intermediate.....	5	86-03	86106	67404
104C	Intermediate (Hi Energy) (use w/ Kolene Steels).....	5	95-98	86106H	67404H

AX4S/AXOD/E

FORD AXOD/E (AX4S) AX4S-HO OVERDRIVE

ILL.	DESCRIPTION	QTY.	YEAR	PART NO.	REFERENCE NO.
FRICITION PLATES (Cont.)					
104C	Intermediate (Hi Energy) (use w/ Non Kolene Steels) 2nd Design	5	99-03	86106A	67404J
106F	Direct.....	4-5	86-95	86106	67404
106F	Direct (Hi Energy) (use w/ Kolene Steels)	4-5	96-98	86106H	67404H
106F	Direct (Hi Energy) 2nd Design (use w/ Non Kolene Steels) 2nd Design.....	4-5	99-03	86106A	67404J
108B	Forward (52 T).....	4	86-E91	86108	67304
108B	Forward (57 T).....	4	L91-03	86108A	67304A
110G	Reverse	4	86-03	86110	67504
STEEL PLATES					
124C	Intermediate .090" (34 T).....	5	86-87	86126A	67305
124C	Intermediate .070" (34 T).....	5	88-03	86126	67405
124C	Intermediate .070" (34 T) (Kolene)	4	88-03	86126B	67405K
124C	Intermediate .095" (32 T)	4	86-03	86126C	67305A
124C	Intermediate .095" (32 T) (Kolene)	4	97-03	86126H	67305AK
125C	Steel Cushion, Intermediate (20 T, .067").....	1	86-03	86125A	67715A
125C	Steel Cushion, Intermediate (8 T, .071").....	1	90-03	86125E	67715C
125C	Spacer, Intermediate (.117") (21 T) (Flat)	1	88-03	86125D	67716
126F	Direct .070" (34 T).....	4-5	86-03	86126	67405
126F	Direct .070" (34 T) (Kolene).....	4-5	86-03	86126B	67405K
128B	Forward (4.710"ID)	4	86-E91	86126	67405
128B	Forward (4.940"ID).....	4	L91-03	86128	67405A
128B	Forward (4.940"ID) (Kolene)	4	L91-03	86128A	67405AK
129	Steel Cushion, Forward (.067").....	1	86-91	86125A	67715A
129	Steel Cushion, Forward (.073") 4.730"ID	1	90-91	86129B	67715D
129	Steel Cushion, Forward (.083") 4.930"ID	1	92-03	86129H	67715E
130G	Reverse	4	86-03	86130	67505
854G	Reverse Cushion	1	86-03	86854	67715
139	Steel Module, AXOD	1	86-E89	86139	N/A
139	Steel Module, AXOD	1	L89-90	86139A	N/A
139	Steel Module, AXODE (AX4S)	1	1991	86139A	N/A
139	Steel Module, AXODE (AX4S)	1	92-03	86139EA	N/A
PRESSURE PLATES					
Prefix Key: D = OEM, A = Aftermarket New, R = Remanufactured					
144C	Intermediate .125"	1	86-91	86144	67714C
144C	Intermediate .203" (w/ Hump).....	1	86-91	86144A	67714B
146F	Direct .130"	1	93-03	86146H	67714H
146F	Direct .160"	1	86-03	86146A	67714A
148B	Forward .280" (4.700"ID).....	1	86-91	86148	67714D
148B	Forward .280" (4.930"ID) Flat.....	1	92-03	86148HC	67714E
148B	Forward .170" (4.930"ID) Flat.....	1	92-03	86148HA	67714G
150G	Reverse .196"	1	86-03	86150	67714
VALVE BODY RECALIBRATION KITS					
165H	Shift Kit®, AXOD (Transgo®).....	1	86-92	T86165	K67908
165H	Shift Kit®, AXODE (AX4S) (Transgo®).....	1	91-03	T86165E	K67908E
165H	Shift Kit®, AX4S Junior (Windstar, Taurus, Sable, Continental) (Transgo®).....	1	96-03	T86167E	K67908EJ
165H	Valve Body Kit, AXOD (Superior).....	1	86-03	S86165	67C01
165H	Lube Kit, AXOD/E Dam (Helps Prevent Planet Burnout) (Superior)	1	86-03	S86165B	K67836
165H	Valve Body Kit, AXODE (Superior).....	1	91-99	S86165E	67C02
165H	1-2 Capacity Mod. Springs Kit, AXOD w/ Clips (Superior)	1	86-03	S86165SC	K67975
165H	Sure Cure Kit, AXODE (AX4S) (Sonnax)	1	91-03	S86174	67S02
SEALING RINGS					
175H	Ring Kit (Metal).....	1	86-03	86175	K67903
175H	Ring Kit (Teflon)	1	86-03	86175T	K67903T

FORD AXOD/E (AX4S) AX4S-HO OVERDRIVE

ILL.	DESCRIPTION	QTY.	YEAR	PART NO.	REFERENCE NO.
SEALING RINGS (Cont.)					
176A	Pump Slide 3.079"OD (Metal)	1	86-03	86176	67302
177E	Pump Shaft (Front) .693"OD (Teflon).....	2	86-03	86177AT	67306T
177E	Pump Shaft (Rear) .833"OD (Teflon)	2	86-03	86177BT	67309T
179E	Forward & Direct 2.466"OD (Metal).....	5	86-03	86179	67301
179E	Forward & Direct 2.466"OD (Teflon)	5	86-03	86179T	67301T
189	Governor .529"OD (Teflon) AXOD	1	86-90	86189T	67307T
THRUST WASHERS					
200H	Washer Kit	1	86-03	86200	K67907
214E	Driven Sprocket Support to Overdrive Drum .088"	1	86-03	86214	67409
214E	Driven Sprocket Support to Overdrive Drum .098"	1	86-03	86214A	67409A
214E	Driven Sprocket Support to Overdrive Drum .107"	1	86-03	86214B	67409B
214E	Driven Sprocket Support to Overdrive Drum .117"	1	86-03	86214C	67409C
219E	Driven Sprocket Support to Direct & Intermediate Drum .056"-.062"	1	86-03	86219	67400
219E	Driven Sprocket Support to Direct & Intermediate Drum .064"-.070"	1	86-03	86219A	67400A
219E	Driven Sprocket Support to Direct & Intermediate Drum .076"-.080"	1	86-03	86219B	67400B
219E	Driven Sprocket Support to Direct & Intermediate Drum .085"-.089"	1	86-03	86219C	67400C
229B	Forward Clutch Drum to Low Sprag (4 Tab) (White .070")	1	86-03	86229	67211
232F	Direct/Intermediate Clutch Drum to Direct Sprag (2 Tab)	1	86-03	86232	67210
278E	Drive Sprocket to Converter Reactor	1	86-94	86279	67213
278E	Drive Sprocket to Converter Reactor	1	95-03	86279A	67213A
279E	Drive Sprocket to Case Cover	1	86-94	86279	67213
279E	Drive Sprocket to Case Cover	1	95-03	86279A	67213A
280E	Driven Gear to Case Cover	1	86-94	86280	67214
280E	Driven Gear to Case Cover 3 Tab Plastic	1	95-03	86280A	67214A
281E	Driven Sprocket to Direct/Intermediate Support (Plastic)	1	86-03	86281	67212
293H	Differential to Case .045"-.049"	1	86-91	86293	67401
293H	Differential to Case .064"-.069"	1	86-91	86293B	67401A
293H	Differential to Case .061"	1	92-03	86293C	67401C
293H	Differential to Case .065"	1	92-03	86293CA	67401D
293H	Differential to Case .072"	1	92-03	86293CC	67401F
BEARINGS & RACES					
201H	Bearing Kit	1	86-03	86201A	K67906
209A	Bearing, Pump Needle Bearing (1.002"OD).....	1	86-03	86209C	67922A
209A	Bearing, Pump Needle Bearing (1.065"OD).....	1	86-03	86209H	67922B
209A	Bushing, Replaces Pump Needle Bearing.....	1	86-03	86209B	N/A
220E	Bearing w/ Race, Driven Sprocket Support to Direct & Intermediate Drum	1	86-03	36217	67225
235C	Bearing w/ Race, Intermediate Hub (Both Sides)	2	86-03	86235	67224
237D	Needle Bearing, Front Planet Shaft (Outer)	1	86-03	86237	67004B
238D	Bearing w/ Race, Front Planet to Rear Planet.....	1	86-03	86238	67226
241	Caged Bearing, Front Planet	1	86-03	86241	67003B
241	Captured Bearing, Front Planet	1	86-03	86241A	67228
251	Needle Bearing, Rear Planet (Captured)	1	86-03	86251	67229
257D	Bearing w/ Race, Rear Sun Gear Drum to Differential Support	1	86-03	36254C	36444C
260H	Bearing w/ Race, Differential Support to Parking Gear	1	86-03	86260	67222
265H	Bearing w/ Race, Governor/Speed-O to Cover.....	1	86-03	64265A	51466A
289	Bearing w/ Race, Differential to Sun Gear.....	1	86-03	86289	67221
292H	Bearing w/ Race, Differential to Case	1	86-03	86292	67220
295E	Needle Bearing, Converter Reactor (Inner)	1	86-03	64295	51486
298E	Needle Bearing, Driven Sprocket Support (Inner)	1	86-03	86298A	67978
GASKETS & O-RINGS					
300H	Gasket, Bottom Pan (Cork)	1	86-95	86300	13995X
300H	Gasket, Bottom Pan (Fiber).....	1	86-95	86300F	13995F
300H	Gasket, Bottom Pan (Bonded Gasket)	1	96-03	86300GW	13995R

AX4S/AXOD/E

FORD AXOD/E (AX4S) AX4S-HO OVERDRIVE

ILL.	DESCRIPTION	QTY.	YEAR	PART NO.	REFERENCE NO.
GASKETS & O-RINGS (Cont.)					
301A	Gasket, Main Control Cover (Cork)	1	86-95	86301	13935
301A	Gasket, Main Control Cover (Fiber)	1	86-95	86301F	13935F
301A	Gasket, Main Control Cover (Bonded Rubber)	1	96-03	86301GW	13935R
307H	Gasket, Low/ Intermediate Servo	1	86-03	86307L	13938
310A	Gasket, Pump to Sep. Plate (AXOD) (No Stripe) (Pump/VB Gasket Pkg 86320K)	1	1986	86310A	N/A
310A	Gasket, Pump to Sep. Plate (AXOD) (White Stripe) (Pump/VB Gasket Pkg 86320BK) ..	1	1987	86310AA	N/A
310A	Gasket, Pump to Sep. Plate (AXOD) (Yellow Stripe) (Pump/VB Gasket Pkg 86320CK).	1	88-90	86310AC	N/A
310A	Gasket, Pump to Sep. Plate (AXOD) (Blue Stripe)	1	1990	86310AD	N/A
310A	Gasket, Pump to Separator Plate (AXODE, AX4S) (Pump/VB Gasket Pkg 86320D).....	1	91-98	86310AE	N/A
310A	Gasket, Pump to Separator Plate (Uses Bonded Gaskets)	1	94-96	86320G	N/A
310A	Gasket, Pump Separator Plate to Valve Body (AXOD) (No Stripe).....	1	1986	86310BA	N/A
310A	Gasket, Pump Separator Plate to Valve Body (AXOD) (White Stripe)	1	1987	86310BB	N/A
310A	Gasket, Pump Separator Plate to Valve Body (AXOD) (Yellow Stripe)	1	88-90	86310BC	N/A
310A	Gasket, Pump Separator Plate to Valve Body (AXOD) (Blue Stripe)	1	1990	86310BD	N/A
310A	Gasket, Pump Separator Plate to Valve Body (AXODE, AX4S).....	1	91-93	86310BE	N/A
310A	Bonded Gasket, # AH (Pump Plate) (Taurus, Sable, Continental)	1	94-95	86310GB	13813Q
310A	Bonded Gasket, # 51 (Pump Plate) (Windstar, Taurus, Sable).....	1	95-03	86310GC	13813R
310A	Bonded Gasket, # 99 (Pump Plate) (Windstar, Taurus, Sable).....	1	99-03	86310GE	13813S
313A	O-Ring, Oil Pump Slide	1	86-03	86313	N/A
320A	Bonded Valve Body Plate, # 31 (Taurus SHO 3.2L)	1	94-95	86320GE	13813H
320A	Bonded Valve Body Plate, # 40 (Taurus, Sable 3.0L).....	1	94-95	86320GA	13813J
320A	Bonded Valve Body Plate, # 41 (Taurus, Sable, Continental 3.8L).....	1	94-95	86320GB	13813K
320A	Bonded Valve Body Plate, # 42 (All 3.0L).....	1	96-97	86320GG	13813N
320A	Bonded Valve Body Plate, # 47 (All 3.8L).....	1	96-97	86320GH	13813P
320A	Bonded Valve Body Plate, # 53 (Windstar 3.0L).....	1	94-95	86320GC	13813M
320A	Bonded Valve Body Plate, # 58 (Windstar 3.8L).....	1	94-95	86320GD	13813L
320A	Bonded Valve Body Plate, # 98 (All 3.0L, 3.8L).....	1	1998	86320GJ	13813Y
320A	Bonded Valve Body Plate, # 95 (All 3.0L, 3.8L).....	1	99-00	86320GL	13813AB
320A	Bonded Valve Body Plate, # 00 (Taurus, Sable 3.0L).....	1	00-03	86320GM	13813AC
320A	Gasket Package, Pump/Valve Body (No Stripe) (86320 & 86321 Avail Separate).....	1	1986	86320K	K13812
320A	Gasket Package, Pump/Valve Body (White Stripe) (86320B & 86321B Avail Separate)	1	1987	86320BK	K13812A
320A	Gasket Package, Pump/Valve Body (Yellow Stripe) (86320C & 86321C Avail Sep.)	1	88-90	86320CK	K13812B
320A	Gasket Package, Pump/Valve Body (Green Stripe) (86320E & 86321E Avail Sep.).....	1	91-98	86320DK	K13812D
320A	Gasket Package, Pump/Valve Body (Yellow Stripe) (86320G & 86321G Avail Sep.)	1	99-03	86320DK	K13812D
324A	Gasket, Case Cover to Case	1	86-99	86324	13936
324A	Gasket, Case Cover To Case.....	1	00-03	86324A	13936B
345H	O-Ring, AXOD Governor Cover	1	86-90	86345	13940
352H	Lathe Cut Seal, 1-2 Accumulator Piston.....	1	86-03	86352	N/A
353H	O-Ring, N-D Accumulator Piston	1	86-03	86353	N/A
354H	Lathe Cut Seal, 3-4 Accumulator Piston.....	1	86-03	86354	N/A
361H	O-Ring, Low/ Intermediate Servo Piston	1	86-03	86361	N/A
362H	O-Ring, Low/ Intermediate Servo Cover	1	86-03	86362	13817
367H	Seal, Overdrive Servo Cover (Thick Wall)	1	86-03	86367	13939
380E	O-Ring, Turbine Shaft (23 Spline Shaft)	1	86-E94	86380	13019
383D	Seal, Rear Lube Tube to Case	1	86-E93	54386A	13969
383D	Seal, Rear Lube Tube to Differential Support	1	L93-03	86383E	13969F
TECHNICAL MANUALS					
400H	Tech Manual, AXOD	1	86-90	86400	67Y01
400H	Tech Manual, AXODE (AX4S).....	1	91-03	86400E	67Y03
400H	Tech Manual, AXOD, AXODE (AX4S) Update Handbook.....	1	86-03	86400EH	67Y02
400H	Tech Manual, AXODE (AX4S) Rebuild Procedures (Ford)	1	91-03	86400EA	N/A
400H	Tech Manual, AXODE (AX4S) Book 1 (Ford).....	1	91-03	86400EB	N/A

FORD AXOD/E (AX4S) AX4S-HO OVERDRIVE

ILL.	DESCRIPTION	QTY.	YEAR	PART NO.	REFERENCE NO.
ELECTRICAL COMPONENTS					
410	Switch, Neutral Safety (86-10/87)	1	86-E87	86410	N/A
410	Switch, Neutral Safety (11/87-90)	1	L87-90	86410A	15A-125
410	Switch, Neutral Safety (8 Pin w/ Conversion Update)	1	91-92	86410E	15A-126
410	Switch, MLPS (8 Pin Connector) (Windstar 95-98)	1	95-98	86410EA	15A-127
410	Switch, MLPS (10 Pin Connector)	1	98-02	86410HA	15A-128A
411	Switch, Pump Oil Pressure	1	86-90	86414	15A-244
412	Switch, 3-2, 4-3 Pressure Switch	2	86-03	86412	15A-243
414	Switch, Neutral Pressure Switch	1	86-03	86414	15A-244
420	Solenoid, Shift (1-2, 2-3, 3-4)	3	92-03	86420	5A-259
420	Solenoid, Shift (1-2, 2-3, 3-4) (Teckpak)	3	92-03	T86420	5T-259
420	Solenoid Master Kit, AXODE	1	92-03	86420EAK	N/A
425	Solenoid, Lock-Up (Non-Electronic Only)	1	86-90	86425	5A-250
425	Solenoid, Lock-Up (Square Body) (Electronic) (Also 91 Taurus, Sable)	1	86-90	T86425	5T-257
425	Solenoid, Lock-Up (1991 Taurus, Sable)	1	1991	86425A	5A-257
425	Solenoid, Modulated Lock-Up (White) (Low OHM) (Exc. 91 Taurus, Sable)	1	91-97	86425B	5A-257A
425	Solenoid, Modulated Lock-Up (Blue) (High OHM)	1	97-03	86425H	5A-257B
431	Solenoid, Electronic Pressure Control (EPC)	1	91-97	86431	5A-258
436	Sensor, Output Speed (VSS) (Analog - Cable Driven)	1	86-98	36436	20A-412
436	Sensor, Output Speed (VSS) Gear Driven	1	86-98	86436A	20A-412A
436	Sensor, Output Speed (VSS) Cable Driven (1.100"OD)	1	86-98	86436	20A-413
436	Sensor, Output Speed (VSS) (w/ 13" Harness)	1	99-03	86436G	20A-109
437	Sensor, TOT/TFT (Transmission Oil Temp)	1	91-03	86437	20A-104
438A	Sensor, Input Speed (TSS) (2 Prong Oval Connector w/ Blue Insert, 2 O-Rings)	1	91-03	86438	20A-105
445	Wire Harness, VSS Connector Assembly	1	86-03	76445C	35A-255
446	Wire Harness, Internal (Non-Electronic) (3.0L)	1	86-90	86446	25A-110
446	Wire Harness, Internal (Non-Electronic) (3.8L)	1	86-90	86446A	25A-109
446	Wire Harness, Internal (w/ White Case Connector) (Side)	1	91-92	86446E	25A-113
446	Wire Harness, Internal (w/ Black Case Connector) (Top)	1	91-92	86446EA	25A-113A
446	Wire Harness, Internal (w/ Gray Case Connector) (9 Prong) (Retros White Conn.)	1	93-03	86446EB	25A-113C
445	External Harness Repair, Plugs Into Connector (Black)	1	91-92	86445EAK	N/A
445	External Harness Repair, Plugs Into Connector (White)	1	91-92	86445EK	N/A
445	External Harness Repair, Case Connector, AXOD	1	86-90	86445K	35A-251
445	External Harness Repair, Side Connector, AXODE (AX4S)	1	91-92	86445EB	35A-253
445	External Harness Repair, Top Connector, AXODE (AX4S)	1	91-92	86445EA	35A-252
445	External Harness Repair, Top Connector, AXODE (AX4S)	1	93-Up	86445EC	35A-254
445	External Harness Repair, Top Connector, AXODE (AX4S) (Rostra)	1	93-Up	86445EHK	35R-254
445	External Harness Repair, Speed Sensor, AXODE (AX4S)	1	91-Up	76445C	35A-255
445	External Harness Repair, Two Connector To Single Connector Update	1	91-Up	86445E	35A-256
HARD PARTS					
Prefix Key: D = OEM, A = Aftermarket New, R = Remanufactured					
PUMPS					
500A	Pump, AXOD (RFE7) (w/ Separator Plate)	1	1987	86500A	67920A
500A	Pump, AXOD (RFE8) (w/ Separator Plate)	1	1988	86500AA	67920C
500A	Pump, AXOD (RFE9) (w/ Separator Plate)	1	89-90	86500AB	67920B
500A	Pump, AXODE (AX4S) (RFF1) (w/o Separator Plate, w/ 5 Solenoids)	1	91-03	86500E	67920E
520A	Pump Cover	1	91-03	86520H	67924
529E	Converter Reactor (Support) 3 Uneven Spaced Holes for Washer # 86279	1	86-03	86529	67976
529E	Converter Reactor (Support) 3 Even Spaced Holes for Washer # 86279A	1	86-03	86529A	67976A
531A	Pump Rotor Kit	1	86-03	86531	K67801
532A	Pump Rotor	1	86-03	86532	67802
533A	Pump Vanes	7	86-03	86533	67805
534A	Pump Slide	1	86-03	86534	67803
535A	Pump Slide Pivot Pin	1	86-03	86535	67804
538A	Pump Vane Rings	2	86-03	86538	67303

AX4S/AXOD/E

FORD AXOD/E (AX4S) AX4S-HO OVERDRIVE

ILL.	DESCRIPTION	QTY.	YEAR	PART NO.	REFERENCE NO.
DRUMS & CLUTCH HUBS					
550B	Overdrive (6 Lugs For Shell)	1	86-03	86550	67945A
550B	Overdrive (36 Lugs For Shell)	1	86-03	86550H	67945B
552C	Direct & Intermediate (Steel Piston Type)	1	86-E96	86552A	67963
552C	Direct & Intermediate (Steel Piston Type)	1	L96-97	86552H	67963B
552C	Direct & Intermediate (Steel Piston Type)	1	98-Up	86552BA	67963D
552C	Direct & Intermediate (Bonded Piston Type)	1	L96-03	86552B	67963C
554F	Forward (13mm, w/ .505" Thick Splines on ID) (Exc. Taurus SHO)	1	86-E96	86554AA	67964
554F	Forward (10mm Thick Splines) (3.0L (Taurus SHO Only)	1	86-03	86554B	67964A
554F	Forward (10mm Thick Splines) (3.8L)	1	96-03	86554H	67964E
556G	Reverse	1	86-03	86556	67962
559D	Low w/ Sun Gear (no Slotted Holes)	1	86-03	86559	N/A
559D	Low w/ Sun Gear (w/ 3 Slotted Holes)	1	92-03	86559A	67955
572C	Clutch Hub, Interm (1.580" Tall, 0.800" Hub Diameter, 0.875" Long Splines)	1	88-93	86572A	67944
572C	Clutch Hub, Interm (1.280" Tall, 0.950" Hub Diameter, 0.900" Long Splines)	1	94-03	86572B	67944A
572C	Clutch Hub, Interm (1.750" Tall, 1.100" Hub Diameter, 1.100" Long Splines)	1	94-03	86572C	67944B
575F	Clutch Hub, Direct Overrun (.740" Thick Outer Race)	1	86-90	86575	67942
575F	Clutch Hub, Direct Overrun (.830" Thick Outer Race)	1	91-03	86575A	67942B
564B	Piston Kit, Forward Clutch	1	86-03	86564	N/A
565F	Piston Kit, Direct Clutch	1	86-03	86565	N/A
PLANETS					
582D	Front (w/ Bushing Inside of Shaft)	1	86-03	86582	67950
582D	Front (w/ Bearing Inside of Shaft) (Sun Gear Has 1 Bushing Inside) Retros	1	86-03	86582B	67950A
582D	Front (w/ Bearing Inside of Shaft) (Sun Gear Has 2 Bushings Inside) Retros	1	86-03	86582A	N/A
584D	Rear Planet (33 Spline)	1	86-01	86584	67951
584D	Rear Planet (45 Spline)	1	01-Up	86584D	67951D
594D	Ring Gear, Rear Planet	1	86-03	86594	67952
598H	Ring Gear, Final Drive (17 Lugs)	1	86-01	86598	67985
582D	Planet Kit, Front (Incl 6 Lug Sun Shell (Bearing Type) (Retro-Fit)	1	86-03	86582AK	K67950A
582D	Planet Kit, Rear (33 Spline)	1	86-03	86582BK	N/A
584D	Planet Kit, Rear (45 Spline)	1	01-Up	86584K	K67951D
583	Planet Kit, Frt & Rear, 6 Lug Sun Shell (Bearing Type) (Needs 86238 Brg)	1	86-03	86583B	K67960N
583	Planet Kit, Frt & Rear, 36 Lug Sun Shell (Bearing Type) (Needs 86238 Brg)	1	93-03	86583C	K67960B
SUN GEARS, SHELLS & SUPPORTS					
618H	Sun Gear, Final Drive Planet (4 1/8") (30 T, 33 Splines)	1	86-01	86618	67970N
620G	Shell, w/ Front Sun Gear (w/ 6 Drive Lugs, 1 Bushing)	1	86-03	86620AA	67948A
620G	Shell, w/ Front Sun Gear (w/ 6 Drive Lugs, 2 Bushings)	1	86-03	86620	67948
620G	Shell, w/ Front Sun Gear (w/ 36 Drive Lugs, 1 Bushing)	1	86-03	86620B	67948B
SPRAGS					
656F	Roller Clutch, Direct (.500" Blue Plastic)	1	86-03	86656	67940
656F	Roller Clutch, Direct (.590" Gray Plastic)	1	93-03	86656A	67940A
658B	Sprag, Low Clutch (30 Elements) (Replaces 16 & 26 Element Versions)	1	86-03	86658A	67930
666F	Inner Race, Direct Overrun Clutch (6 Lug)	1	86-03	86666	67941
666F	Inner Race, Direct Overrun Clutch (36 Lug)	1	86-03	86666A	67941B
669B	Outer Race, Overrun Clutch (.600" Thick, 52 T)	1	86-03	86669	N/A
669B	Outer Race, Overrun Clutch (.720" Thick, 57 T)	1	86-03	86669A	67931A
SHAFTS					
671E	Pump Shaft	1	86-03	86671	67921
671E	Pump Shaft, Improved Lube Design	1	86-03	S86671	67921S
673E	Turbine Shaft (23 Splines on Converter End) (1 1/16" Long Splines)	1	86-03	86673	N/A
673E	Turbine Shaft (23 Splines on Converter End) (7/8" Long Splines)	1	86-03	86673A	N/A
673E	Turbine Shaft (25 Splines on Converter End)	1	L93-03	86673B	N/A
678D	Output Shaft, 18" Long (35 Spline on Differential End)	1	86-03	86678	67993

FORD AXOD/E (AX4S) AX4S-HO OVERDRIVE

ILL.	DESCRIPTION	QTY.	YEAR	PART NO.	REFERENCE NO.
GOVERNORS					
680H	Governor Assembly, AXOD	1	86-03	86680	N/A
680H	Governor Assembly, AXODE (AX4S) (Speed Sensor Drive) Under Governor Cover	1	86-03	86680A	67615
680H	Governor Assembly, AXODE (AX4S) w/ 13 T Plastic Gear	1	86-03	86680B	67615C
684H	Gear, Governor Drive (Rides on the Final Drive) (Yellow Plastic).....	1	86-03	86683	67981
CHAINS					
700E	Chain, 3/4" Wide Sprocket, 86 Rocker Pins (HV075)	1	93-03	86700HA	67973B
700E	Chain, 3/4" Wide Sprocket, 86 Round Pins (HV021) (1 Copper Link).....	1	86-03	86700	67973
700E	Chain, 3/4" Wide Sprocket, 88 Round Pins (HV041) (2 Copper Links).....	1	96-03	86700G	67973D
700E	Chain, 7/8" Wide Sprocket, 86 Round Pins (HV029) (1 Green / Dark Blue Link).....	1	86-88	86700A	67973A
SPROCKETS & SUPPORTS					
710	Sprocket Kit (37 T / 36 T) w/ Turbine (Narrow) AXOD	1	86-90	86710EAK	K67984A-R
710	Sprocket Kit (38 T / 35 T) w/ Turbine (Narrow) AXOD	1	88-90	86710GBK	K67984B-R
710	Sprocket Kit (38 T / 35 T) w/ Turbine (Round Pin) AXODE (AX4S)	1	91-93	86710GAK	K67984C-R
710	Sprocket Kit (38 T / 35 T) w/ Turbine (Rocker Pin) AXODE (AX4S)	1	94-Up	86710GCK	K67984D-R
710	Sprocket Kit (38 T / 35 T) w/ Turbine (Rocker Pin) SHO	1	94-Up	86710GDK	K67984F-R
710	Sprocket Kit (34 T / 39 T) w/ Turbine.....	1	95-Up	86705HAK	K67984H-R
713E	Sprocket Support (RFE6SP) No Notch.....	1	86-03	86713	67977
DIFFERENTIALS					
715H	Differential (Less Speed-O-Gear)	1	86-01	86715	67980
724D	Support, Differential (1 Bushing Type, No Seal Style)	1	86-92	86724A	67965
724D	Support, Differential (1 Bushing Type, w/ Seal)	1	93-03	86724B	67965A
VALVE BODIES					
740A	Valve Body, AXODE (AX4S) (Premium)	1	1991	86740-6	P67990D
740A	Valve Body, AXODE (AX4S) (Premium)	1	1992	86740-7	P67990E
740A	Valve Body, AXODE (AX4S) (Premium) Cast F4 (Exc. 97 Lincoln).....	1	93-98	86740-1	P67990F
740A	Valve Body, AXODE (AX4S) (Premium) Blue Lock-Up (incl 97 Lincoln).....	1	97-98	86740-4	P67990G
740A	Valve Body, AXODE (AX4S) (Premium) Cast XF, YF.....	1	98-03	86740-5	P67990L
VALVE BODY COMPONENTS					
741H	Check Ball, Valve Body, 5/16" (.312")	AR	86-03	76741-5	13924A
741H	Clip Kit, w/ Spring, AXOD (Superior)	1	86-03	86165SC	K67975
741H	Clip, Valve Body Retainer (10 Per Bag) (Sonnax # 96201-10)	1	86-03	86741-4B	67961F
741H	Clip, Valve Body Retainer (10 Per Bag) (Sonnax # 96201-11)	1	86-03	86741-4C	67961G
741H	Clip, Valve Body Retainer (10 Per Bag) (Sonnax # 96201-9)	1	86-03	86741-4A	67961E
741H	Sleeve & Plunger, By-Pass Clutch Control.....	1	86-03	86741A-2	K67967B
741H	Sleeve, Valve Body to Pump Shaft (Press-In)	1	86-03	86741V	67641
741H	Spring, Capacity Modulator Valve	1	86-03	86741-3	K67975
741H	Spring, Pressure Regulator (Elevated) (AX4S).....	1	95-03	86741P-3	K67832
741H	Valve Kit, Boost Valve & Sleeve (.475") 3.0L	1	86-03	86741TCK	K67971C
741H	Valve Kit, Boost Valve & Sleeve (.475") 3.0L w/ O-Ring.....	1	86-03	86741TBK	K67971B
741H	Valve Kit, Boost Valve & Sleeve (.491") 3.8L	1	86-03	86741TAK	K67971A
741H	Valve Kit, Boost Valve & Sleeve (.491") 3.8L w/ O-Ring.....	1	86-03	86741TK	K67971
741H	Valve Kit, Boost Valve & Sleeve (Replaces All 3.0L & 3.8L).....	1	86-03	A86741TK	N/A
741H	Valve Kit, Bypass TCC Control Valve & Sleeve.....	1	86-03	86741B-2	K67967
741H	Valve Kit, Forward Control (requires T-96201-BST).....	1	86-03	86741K	K67979A
741H	Valve Kit, O.S. Bypass Control Clutch (AX4S) (requires T-96201-TL)	1	86-03	86741BK	K67967M
741H	Valve Kit, O.S. Converter Regulator (AX4S) (requires T-96201-TL3)	1	86-03	86741QK	K67885
741H	Valve Kit, O.S. Solenoid Regulator (AX4S) (requires T-96201-TL2)	1	86-03	86741LK	K67884
741H	Valve Saver Cap For 3-2 Timing Control Valve.....	1	86-03	86741A-4	67968
741H	Valve, Manual.....	1	86-03	86741M-1	67972
741H	Valve, Pressure Regulator w/ Springs (Oversized) (requires T-96206-TL2).....	1	95-03	86741PK	K67886
741H	Valve, Relief (Bag of 10).....	1	86-03	76741A-1	67966

AX4S/AXOD/E

FORD AXOD/E (AX4S) AX4S-HO OVERDRIVE

ILL.	DESCRIPTION	QTY.	YEAR	PART NO.	REFERENCE NO.
CASES & HOUSINGS					
755A	Case Cover (Cast # RF-E7DP-7G234AA)	1	1987	86755AB	67995A
755A	Case Cover (Cast # RF-F1, RF-F3DP-7G234AA) (2 Wire Harness Type)	1	91-92	86755BC	67995D
755A	Case Cover (Cast # RF-F3DP-7G234AB) (1 Wire Harness Type)	1	93-03	86755BB	67955F
765H	Pan, Bottom (All Exc. SHO)	1	86-03	86765	67999
765H	Pan, Bottom (SHO).....	1	86-03	86765E	67999A
766A	Pan, Side (Valve Body Cover)	1	86-03	86766	67998
848	Gear, Speed-O Drive (7 Tooth)	1	86-03	86848	67650
SNAP RINGS					
878B	Forward, Direct, & Intermediate .067" (AX4S).....	1	86-03	86878A	N/A
878B	Forward, Direct, & Intermediate .078" (AX4S).....	1	86-03	86878B	N/A
878B	Forward, Direct, & Intermediate .092" (AX4S).....	1	86-03	86878C	N/A
878B	Forward, Direct, & Intermediate .111" (AX4S).....	1	86-03	86878E	N/A
882D	Retaining Ring, Rear Ring Gear (Prevents Ring Pop Out)	1	86-03	S86882	67954S
MISCELLANEOUS COMPONENTS					
902H	Piston, Overdrive Servo	1	86-97	86902	67528
902H	Piston, Overdrive Servo	1	98-03	86902A	67528B
902H	Piston & Pin Kit, Overdrive Servo (No Groove on Pin)	1	98-03	86902AK	67949E
903H	Pin, Overdrive Servo (No Groove)	1	86-03	86903	67949
903H	Pin, Overdrive Servo (1 Groove)	1	86-03	86903A	67949A
903H	Pin, Overdrive Servo (2 Groove) (Uses 1.050" OD Spring)	1	86-03	86903B	67949B
903H	Clips, Servo Rod	1	86-03	86903-2	67957
903H	Spring Retaining Clips, 1-2 Servo Pin (5 Per Kit)	1	86-03	86903-5	67958S
904H	Cover, Overdrive Servo	1	86-03	86904	K67528C
905H	Servo Assembly, Low/ Intermediate.....	1	86-03	86905	N/A
906H	Spring, Low/ Intermediate Servo.....	1	86-03	86906	67707X
906H	Retainer, Low/ Intermediate Servo Cushion	1	86-03	86906-5A	67707C
907H	Piston, Low/ Intermediate Servo	1	86-03	86907	67986
908H	Pin, Low/ Intermediate Servo (No Groove)	1	86-03	86908	67959
908H	Pin, Low/ Intermediate Servo (1 Groove)	1	86-03	86908A	67959A
908H	Pin, Low/ Intermediate Servo (2 Groove)	1	86-03	86908B	67959B
908H	Pin, Low/ Intermediate Servo (3 Groove)	1	86-03	86908C	67959C
908H	Pin, Low/ Intermediate Servo (4 Groove)	1	86-03	86908D	67959D
908H	Pin, Low/ Intermediate Servo (Extend) (Teckpak)	1	86-03	T86908	67875A
908H	Servo Rod, Updated Longer w/ O-rings (Uses ORMK-2 O-rings)	1	86-03	86908L	67959S
915B	Band Guide, Overdrive Band (Plastic)	1	86-03	86915	67611
925H	Accumulator Bore Sleeve Master Kit, 1-2, 3-4, N-D Accumulator	1	86-03	86925K	N/A
926H	Spring, 1-2 Accumulator 3.0L (Outer) (Yellow)	1	86-03	86926	67705
926H	Spring, 1-2 Accumulator 3.8L (Outer) (Tan/ Brown)	1	86-03	86926A	67705A
927H	Piston, 1-2 Accumulator	1	86-03	86927	N/A
927H	Accumulator Bore Sleeve Kit, 1-2 Accumulator	1	86-03	86927K	K67877
928H	Pin, 1-2, 3-4, & ND Accumulator	3-4	86-03	86928	67876
929H	Spring, 1-2 Accumulator (Inner) (Yellow)	1	86-03	86929	67705C
929H	Spring, 1-2 Accumulator (Inner) (Brown/ Purple)	1	86-03	86929A	67705D
929H	Spring, 1-2 Accumulator (Inner) (Pink)	1	86-03	86929C	67705B
936H	Spring, 3-4 Accumulator (Outer) (Green)	1	86-03	86936	67706
936H	Spring, 3-4 Accumulator (Outer) (White)	1	86-03	86936A	67706A
937H	Piston, 3-4 Accumulator	1	86-03	86937	N/A
937H	Accumulator Bore Sleeve Kit, 3-4 Accumulator	1	86-03	86937K	K67877A
939H	Spring, 3-4 Accumulator (Inner) (Green).....	1	86-03	86939	67706B
951H	Spring, Neutral Drive Accumulator (Outer)	1	86-03	86951	67707
952H	Piston, Neutral Drive Accumulator	1	86-03	86952	N/A
952H	Accumulator Bore Sleeve Kit, N-D Accumulator	1	86-03	86952K	K67877B

FORD AXOD/E (AX4S) AX4S-HO OVERDRIVE

ILL.	DESCRIPTION	QTY.	YEAR	PART NO.	REFERENCE NO.
MISCELLANEOUS COMPONENTS (Cont.)					
954H	Spring, Neutral Drive Accumulator (Inner)	1	86-03	86954	67707A
960	Bonded Piston Kit, Windstar 3.8L	1	96-97	86960K	N/A
960	Bonded Piston Kit, Windstar 3.8L	1	98-01	86960AK	N/A
962C	Piston, Intermediate Clutch (Bonded).....	1	96-01	86962H	67530
962C	Piston, Intermediate Balance (Bonded)	1	96-01	86963H	67531
964B	Piston, Forward Clutch (Steel)	1	86-03	86964A	67946S
964B	Piston, Forward Clutch (Steel) (Taurus SHO)	1	86-03	86964AA	67946B
964B	Piston, Forward Clutch (Bonded) (.830" Tall)	1	96-97	86964H	67946R
964B	Piston, Forward Clutch (Bonded) (.975" Tall)	1	98-01	86964HA	67946E
965F	Piston, Direct Clutch Apply	1	86-03	86965	67947
965F	Piston, Direct Clutch (Bonded)	1	96-01	86965B	67526
548	Ring, Direct Piston (use w/ A86965B)	1	94-01	86548H	67526-1
966G	Piston, Reverse Clutch	1	86-03	86966	67953
972C	Retainer w/ Springs, Intermediate Clutch	1	86-03	86972	67961
996H	Cooler Line Fitting, 18mm (Teckpak).....	2	91-03	86996	96-208A
996H	Clip, Cooler Line Retainer For 18mm Fittings (Teckpak)	2	86-03	T86996C	N/A
996H	Retainer, For 18mm Fittings (Plastic) (Teckpak).....	2	86-03	T76496C	N/A
996H	Fitting, 3/8" Quick Connect (AX4S)	1	86-03	86996H	96-462
999D	Lube Kits Update (w/ Late Tubes, New Support & Orifice Seal)	1	91-Up	86999AK	K67965A
999D	Lube Tube, Differential & Speedo	1	91-Up	86999-1A	67989
999D	Lube Tube Crossover, Rear Planet Upgrade	1	91-92	86999-2	67988
999D	Lube Tube Crossover, Rear Planet Upgrade (No Spray Tip).....	1	93-98	86999-2A	67988A
999D	Lube Tube Crossover, Rear Planet Upgrade (w/ Spray Tip)	1	99-Up	86999-2B	67988B
999D	Bracket, Holds Lube Tube In	1	86-03	86999-4	67987
Tool	Bore Sizing 1-2 Capacity Modulator Valve Tool.....	1	86-03	T-96201-BST3	T-9234
Tool	Channel Plate Sleeve (Sonnax)	1	86-03	86755-2	N/A
Tool	Channel Plate Sleeve (Southeast)	1	86-03	T-2495-SL	T-2495-SL
Tool	Channel Plate Sleeve Bore Repair Tool	1	86-03	T-2495	T-2495
Tool	Front Clutch Loading Tool	1	86-03	T-2402	T-2402
Tool	Intermediate Clutch Balance Piston Lip Seal Protector	1	86-03	T-1660	T-1660
Tool	Lip Seal Installer / Protector Kit.....	1	86-03	T-2400	T-2400
Tool	Low/Intermediate Servo Rod Tool	1	86-03	T-2403	T-2403
Tool	Oil Pipe Seal Installer.....	1	86-03	T-2433	T-2433
Tool	Reverse Drum & Planetary Gears Remover/Installer	1	86-03	T-2470	T-2470
Tool	Reverse Piston Lip Seal Protector	1	86-03	T-1662	T-1662
Tool	Valve & Pump Shaft Body Alignment Guide Pins	1	86-03	T-2407	T-2407

AX4S/AXOD/E

NOTES					