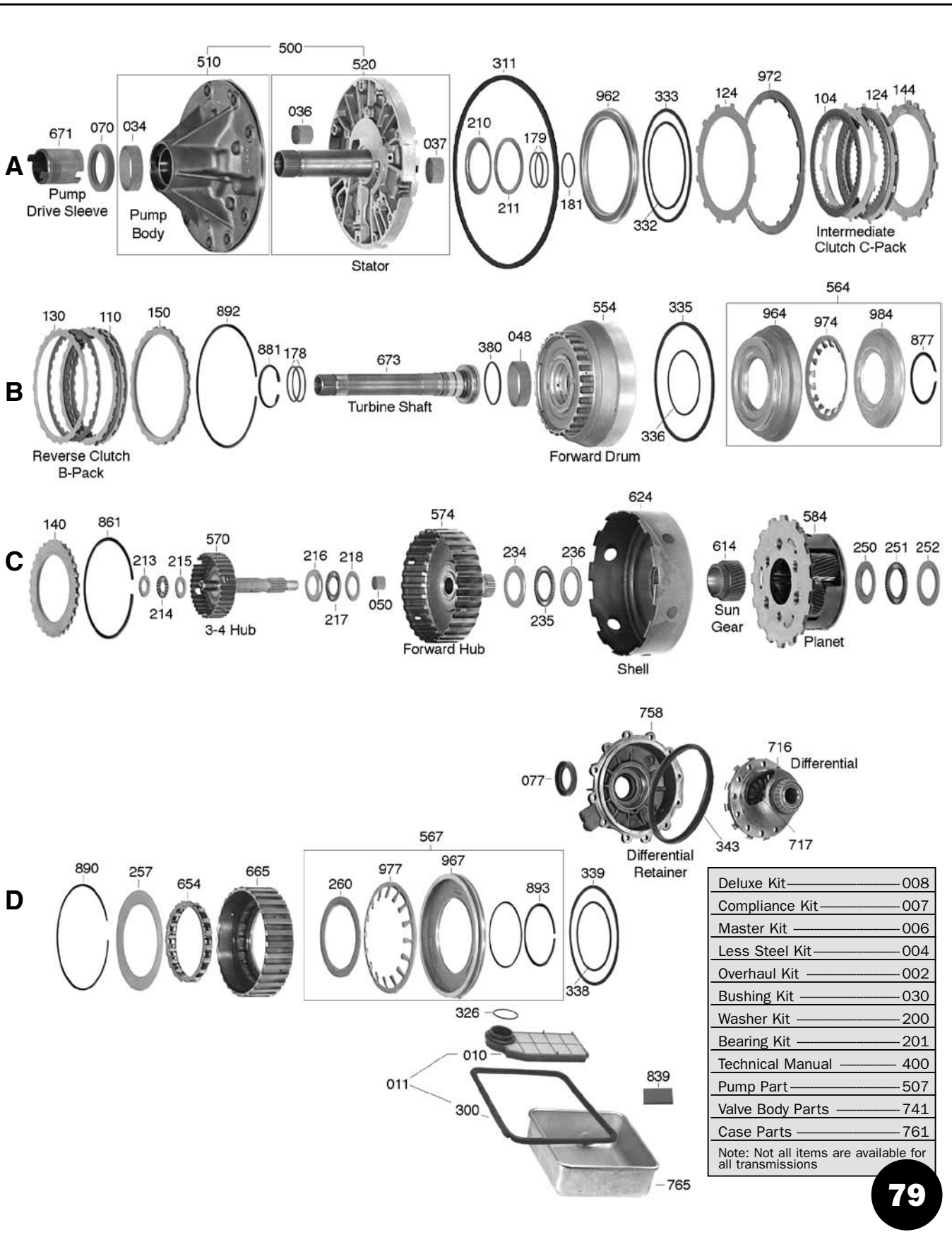
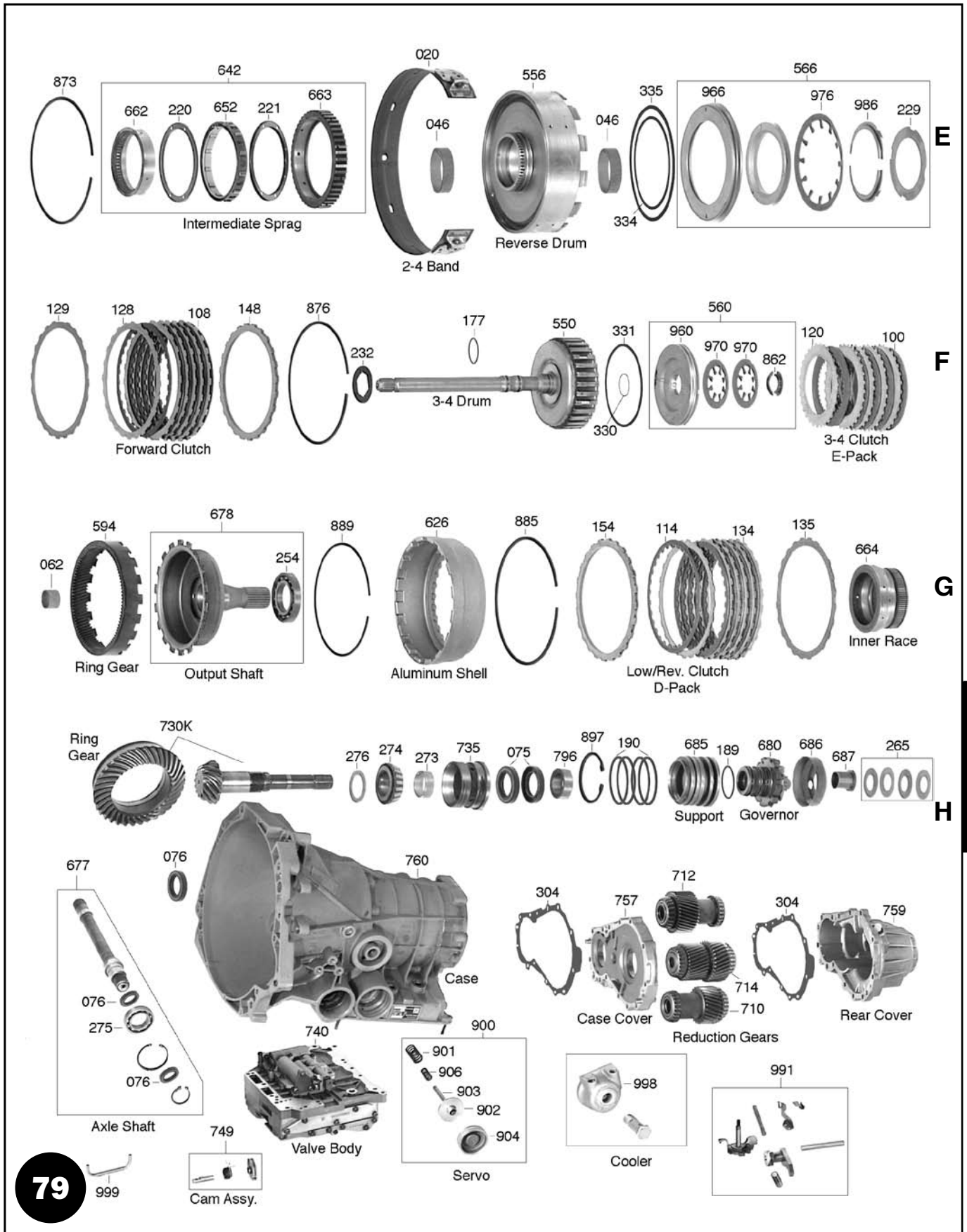


ZF4HP14 ZF4HP18

4 SPEED — FWD





ZF4HP14 ZF4HP18

4 SPEED — FWD



79010E



79010S



79010A

| ZF4HP14 | | |
|--------------------------------|--|-------|
| Citroen BX | | 86-Up |
| Peugeot 405 | | 89-91 |
| Rover 214 | | |
| ZF4HP18 | | |
| Alfa Romeo 164 - Transverse | | 86-Up |
| Audi 100/A6 | | 91-Up |
| Citroen XM - Transverse | | 86-Up |
| Dodge Monaco - V6 - In-Line | | 89-Up |
| Eagle Premier - In-Line | | |
| Porsche 944 | | |
| Saab 9000 - Transverse | | 86-Up |

| ILL. | DESCRIPTION | QTY. | YEAR | PART NO. | REFERENCE NO. |
|---|---|------|-------|----------|---------------|
| MASTER OVERHAUL KITS (WITH STEELS) | | | | | |
| 006D | ZF4HP14 (Peugeot) | 1 | 86-94 | 79006P | K7600A |
| 006D | ZF4HP18FL (Eagle Premier, Dodge Monaco) | 1 | 88-98 | 79006E | K7600 |
| 006D | ZF4HP18FLA / FLE (Audi, Porsche) | 1 | 91-97 | 79006A | K7600C |
| 006D | ZF4HP18Q (Saab) | 1 | 86-98 | 79006S | K7600B |
| LESS STEEL KITS | | | | | |
| 004D | ZF4HP14 (Peugeot) | 1 | 86-94 | 79004P | K7600A-LS |
| 004D | ZF4HP18FL (Eagle Premier, Dodge Monaco) | 1 | 88-98 | 79004E | K7600-LS |
| 004D | ZF4HP18FLA / FLE (Audi, Porsche) | 1 | 91-97 | 79004A | K7600C-LS |
| 004D | ZF4HP18Q (Saab) | 1 | 86-98 | 79004S | K7600B-LS |
| OVERHAUL KITS (W/ RINGS & SEALS) | | | | | |
| 002D | ZF4HP14 (Peugeot) | 1 | 86-94 | 79002P | K76900A-1 |
| 002D | ZF4HP18FL (Eagle Premier, Dodge Monaco) | 1 | 88-98 | 79002E | K76900 |
| 002D | ZF4HP18FLA / FLE (Audi, Porsche) | 1 | 91-97 | 79002A | K76900C |
| 002D | ZF4HP18Q (Saab) | 1 | 86-98 | 79002S | K76900B |
| SUB KITS | | | | | |
| 001D | ZF4HP18FLA | 1 | 91-97 | 79001A | K76900C-3 |
| FILTER KITS | | | | | |
| 011D | ZF4HP14 | 1 | 86-94 | 79011P | FK76800B |
| 011D | ZF4HP18FL | 1 | 88-98 | 79011E | FK76800 |
| 011D | ZF4HP18FLA / FLE | 1 | 91-97 | 79011A | FK76800C |
| 011D | ZF4HP18Q | 1 | 86-98 | 79011S | FK76800A |
| FILTERS | | | | | |
| 010D | ZF4HP14 | 1 | 86-94 | 79010E | 76800 |
| 010D | ZF4HP18FL | 1 | 88-98 | 79010E | 76800 |
| 010D | ZF4HP18FLA / FLE | 1 | 91-97 | 79010A | 76800C |
| 010D | ZF4HP18Q | 1 | 86-98 | 79010S | 76800A |
| BANDS | | | | | |
| Prefix Key: B = Borg Warner, A = OEM (Exc. BW), N = All Other New, R = Relined | | | | | |
| 020E | ZF4HP14 | 1 | 86-94 | 79020P | 76700A |
| 020E | ZF4HP18FL | 1 | 88-98 | 79020E | 76700 |
| 020E | ZF4HP18FLA / FLE | 1 | 91-97 | 79020A | 76700C |
| 020E | ZF4HP18Q | 1 | 86-98 | 79020E | 76700 |
| BUSHINGS | | | | | |
| 030D | Bushing Kit, ZF4HP14 (2 Piece Solid Bronze) | 1 | 86-94 | 79030P | K76901AX |
| 030D | Bushing Kit, ZF4HP18FL (2 Piece Solid Bronze) | 1 | 88-98 | 79030E | K76901X |
| 030D | Bushing Kit, ZF4HP18Q | 1 | 86-94 | 79030S | N/A |
| 034A | Pump Body, ZF4HP18FL | 1 | 88-98 | 79034E | 76001A |

4 SPEED — FWD

ZF4HP14 ZF4HP18

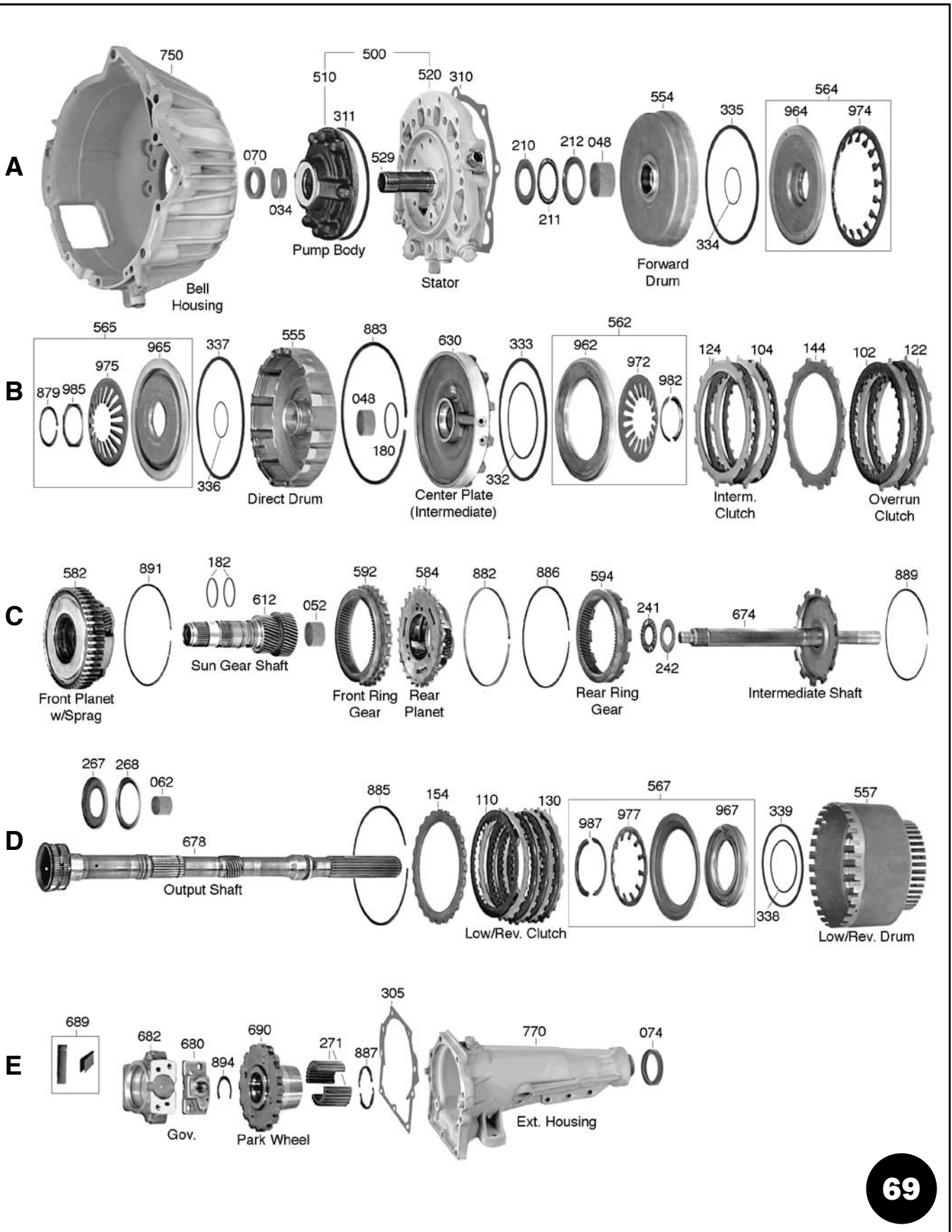
| ILL. | DESCRIPTION | QTY. | YEAR | PART NO. | REFERENCE NO. |
|------------------------------|--|------|-------|----------|---------------|
| BUSHINGS (Cont.) | | | | | |
| 034A | Pump Body, ZF4HP18Q..... | 1 | 86-94 | 79034S | 76001 |
| 037A | Stator (Rear), ZF4HP14..... | 1 | 86-94 | 79037P | N/A |
| 037A | Stator (Rear), ZF4HP18..... | 1 | 88-98 | 69048 | 56003 |
| 049 | Turbine Shaft, ZF4HP18..... | 1 | 88-98 | 79049E | N/A |
| METAL CLAD SEALS | | | | | |
| 070A | Front..... | 1 | 86-98 | 79070E | 76200 |
| 075H | Pinion Shaft, ZF4HP18FL..... | 2 | 88-98 | 79075E | 76206 |
| 076H | Diff. Cover, ZF4HP18FL..... | 1 | 88-98 | 79076EB | 76203 |
| 076H | Right Axle, ZF4HP18FL (Inner)..... | 1 | 88-98 | 79076EA | 76201 |
| 076H | Right Axle, ZF4HP18Q..... | 1 | 86-98 | 79076S | 76201B |
| 076H | Left Axle, ZF4HP14..... | 1 | 86-94 | 79077P | N/A |
| 076H | Left Axle, ZF4HP18FL (Inner)..... | 1 | 88-98 | 79076E | 76201A |
| 076H | Left Axle, ZF4HP18FL (Outer)..... | 1 | 88-98 | 79076EC | 76202 |
| 077H | Left Axle, ZF4HP18Q..... | 1 | 86-98 | 79077S | 76202A |
| FRICTION PLATES | | | | | |
| 100F | 3-4 Clutch (E Pack), ZF4HP14..... | 5 | 86-94 | 79100P | 76102A |
| 100F | 3-4 Clutch (E Pack), ZF4HP18..... | 4-5 | 86-98 | 79100E | 76102 |
| 104A | Intermediate (.061") (C Pack), ZF4HP14..... | 2-3 | 86-94 | 79104P | 76103A |
| 104A | Intermediate (.061") (C Pack), ZF4HP18..... | 3 | 88-98 | 69104 | 56106A |
| 104A | Intermediate (.071") (C Pack), ZF4HP18..... | 3 | 86-98 | 79110B | N/A |
| 108F | Forward (A Pack), ZF4HP14..... | 3-5 | 86-94 | 79104P | 76103A |
| 108F | Forward (A Pack), ZF4HP18..... | 4-5 | 86-98 | 79108E | 76103 |
| 110B | Reverse (B Pack), ZF4HP14..... | 3 | 86-94 | 79110P | 76104A |
| 110B | Reverse (B Pack), ZF4HP18..... | 3-4 | 86-98 | 79110E | 76104 |
| 114H | Low & Reverse (D Pack), ZF4HP14..... | 4-5 | 86-94 | 79104P | 76108A |
| 114G | Low & Reverse (D Pack), ZF4HP18..... | 6 | 86-98 | 79114E | 76108 |
| STEEL PLATES | | | | | |
| 120F | 3-4 Clutch (E Pack), ZF4HP14..... | 4-5 | 86-94 | 79120P | 76107A |
| 120F | 3-4 Clutch (E Pack), ZF4HP18..... | 4-5 | 86-98 | 79120E | 76107 |
| 124A | Intermediate (C Pack), ZF4HP14..... | 1-3 | 86-94 | 79124P | 76105A |
| 124A | Intermediate (C Pack), ZF4HP18..... | 3-4 | 86-98 | 69126B | 56101 |
| 128F | Forward (A Pack), ZF4HP14..... | 3-5 | 86-94 | 79124P | 76105A |
| 128F | Forward (A Pack), ZF4HP18..... | 4-5 | 86-98 | 69128E | 76105 |
| 128F | Forward (A Pack), ZF4HP18 (Waved)..... | 2 | 86-98 | 69129E | 76109 |
| 130B | Reverse (B Pack), ZF4HP14..... | 3 | 86-94 | 79124P | 76105A |
| 130B | Reverse (B Pack), ZF4HP18..... | 3 | 86-98 | 69128E | 76105 |
| 134G | Low & Reverse (D Pack), ZF4HP14..... | 5 | 86-94 | 79134P | 76109A |
| 134G | Low & Reverse (D Pack), ZF4HP18..... | 6 | 86-98 | 69128E | 76105 |
| SEALING RINGS | | | | | |
| 175D | Ring Kit, ZF4HP14..... | 1 | 86-94 | 79175P | K76300A |
| 175D | Ring Kit, ZF4HP18..... | 1 | 86-98 | 79175E | K76300 |
| THRUST WASHERS | | | | | |
| 232F | Forward Drum to 3-4 Drum, ZF4HP18 (Black Plastic)..... | 1 | 88-98 | 79232E | 76404 |
| GASKETS & O-RINGS | | | | | |
| 300D | Gasket, Bottom Pan (Cork), ZF4HP14..... | 1 | 86-94 | 79300P | 13629AF |
| 300D | Gasket, Bottom Pan (Rubber), ZF4HP18..... | 1 | 86-98 | 79300E | 13629R |
| 304H | Gasket, End Cover, ZF4HP18FL..... | 2 | 88-98 | 79304E | 13642 |
| 304H | Gasket, End Cover, ZF4HP18Q..... | 1 | 86-98 | 79304S | 13641 |
| 318 | Gasket, Converter Housing to Main Case, ZF4HP14..... | 1 | 86-94 | 79318P | 13640A |

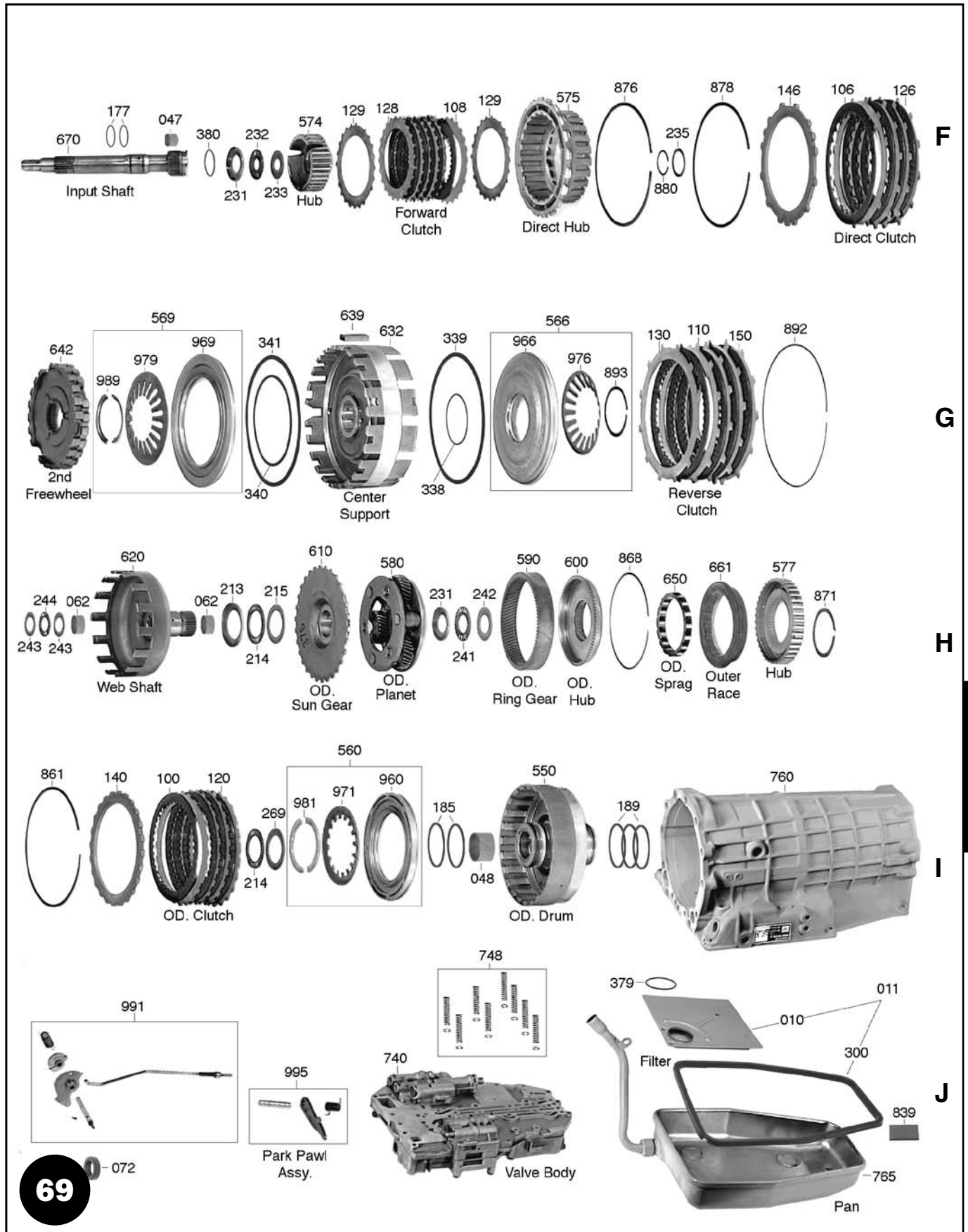
ZF4HP14/18

ZF4HP14 ZF4HP18

4 SPEED — FWD

| ILL. | DESCRIPTION | QTY. | YEAR | PART NO. | REFERENCE NO. |
|--------------------------------------|---|------|-------|-----------|---------------|
| GASKETS & O-RINGS (Cont.) | | | | | |
| 318 | Gasket, Converter Housing to Main Case, ZF4HP18Q..... | 1 | 86-98 | 79318S | 13640 |
| 311A | O-Ring, Pump, ZF4HP18 | 1 | 88-98 | 79311E | 13645 |
| 378 | Lathe Cut Seal, Cooler to Case (Small), ZF4HP18 | 1 | 88-98 | 79378E | 13646 |
| 378 | Lathe Cut Seal, Cooler to Case (Large), ZF4HP18 | 1 | 88-98 | 79378EA | 13646A |
| TECHNICAL MANUALS | | | | | |
| 400D | Tech Manual, Eagle (ZF4HP18FL) | 1 | 88-98 | 79400E | 76Y01 |
| 400D | Tech Manual, Saab (ZF4HP18Q) | 1 | 86-98 | 79400S | 76Y02 |
| 400D | Tech Manual, Saab (Supplement) | 1 | 86-98 | 79400SC | N/A |
| ELECTRICAL COMPONENTS | | | | | |
| 410 | Switch, Neutral, ZF4HP18FL | 1 | 88-98 | 79410 | 25A-350 |
| 420 | Solenoid, Master Kit | 1 | 91-97 | 79420FK | 31A-350 |
| 421 | Solenoid, Shift, ZF4HP18FLA / FLE | 3 | 88-98 | 179421 | 5A-350 |
| 410 | Speed Sensor, ZF4HP18FL | 1 | 88-98 | 79436 | 20A-350 |
| SPRAGS | | | | | |
| 642E | Sprag Assembly, Intermediate w/ Races, ZF4HP18 | 1 | 88-98 | 79642E | K76940 |
| 652E | Sprag, Intermediate, ZF4HP18 | 1 | 86-98 | 79652E | 76940 |
| 654D | Sprag, Rear, ZF4HP14 | 1 | 86-94 | 79654P | N/A |
| 654D | Sprag, Rear, ZF4HP18FL | 1 | 88-98 | 79654E | 76960 |
| 654D | Sprag, Rear, ZF4HP18Q..... | 1 | 86-98 | 79654S | 76960S |
| MISCELLANEOUS COMPONENTS | | | | | |
| 510A | Pump Body w/ Gears (Eagle)..... | 1 | 86-98 | 79510E | 76920A |
| 510A | Pump Body w/ Gears (Peugeot)..... | 1 | 86-98 | 79510P | N/A |
| 510A | Pump Body w/ Gears (Saab) | 1 | 86-98 | 79510S | 76920 |
| 520A | Pump Stator (Eagle)..... | 1 | 86-98 | 79520E | N/A |
| 520A | Pump Stator (Peugeot)..... | 1 | 86-98 | 79520P | N/A |
| 520A | Pump Stator (Saab) | 1 | 86-98 | 79520S | 76925 |
| 673B | Turbine Shaft (6.75" Long) | 1 | 88-98 | 79673E | 76930 |
| 741D | Spring, Accumulator, Saab (2.72" x .780" x .087") | 1 | 86-98 | 79741S-3C | 76706A |
| 741D | Spring, Accumulator, Saab (2.89" x .770" x .088") | 1 | 86-98 | 79741S-3G | 76706B |
| 741D | Spring, Accumulator, Eagle (3.20" x .770" x .088") | 1 | 86-98 | 79741S-3E | 76706C |
| 741D | Spring, Accumulator, Eagle (3.45" x .765" x .078") | 1 | 86-98 | 79741E-3B | 76706D |
| 741D | Pressure Regulator Valve, Oversized (requires T-85991-TL) | 1 | 86-98 | 79741PK | 76882 |
| 901H | Washers, Servo Cushion Belleville Type (2 Per Bag)..... | 1 | 86-98 | 79901A | N/A |
| 902H | Piston, Servo | 1 | 86-98 | 79902 | 76955 |
| 962A | Piston, 3-4 (E Pack) | 1 | 86-98 | 79960E | 76935 |
| 964B | Piston, Intermediate (C Pack) | 1 | 86-98 | 79964F | 76926 |
| 964B | Piston, Forward (A Pack)..... | 1 | 86-98 | 79964E | 76932 |
| 966E | Piston, Reverse (B pack) | 1 | 88-98 | 79966E | 76929 |
| 967D | Piston, Low/ Reverse (D Pack) | 1 | 86-98 | 79967S | 76953 |
| 970F | Spring, 3-4 Clutch Diaphragm, ZF4HP18FL..... | 2 | 88-98 | 79970E | 76619 |
| 450 | Detent Cable, Eagle | 1 | 88-98 | 79450E | 81-2003 |
| 450 | Detent Cable, Saab 9000..... | 1 | 86-98 | 79450S | 81-2000 |
| 450 | Detent Cable, Saab (Tag #'s 031, 032, 084, 085)..... | 1 | 86-98 | 79450SA | 81-2002 |
| 450 | Detent Cable Repair Kit, ZF4HP18..... | 1 | 86-98 | T57451 | 81-909T |





ZF3HP22

ZF4HP22 ZF4HP24



69010



69010A



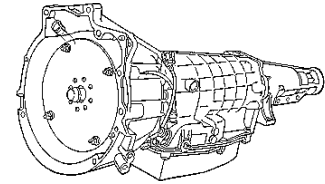
69010B

| ZF3HP22 - 3 Speed - Rear Wheel Drive | | |
|--------------------------------------|---|---------|
| Alfa Romeo | Model 2000 Milano, 164 | 76-78 |
| BMW | 2002 | 76 |
| | 3.0Si, 318i, 320i, 528e, 528i, 530i, 533i, 630CSi, 633CSi, 733i | 76-84 |
| Peugeot | Trans ID 504 | 76-78 |
| | Trans ID 604, 79-604td | 75-81 |
| ZF4HP22 - 4 Speed - Rear Wheel Drive | | |
| BMW | 38i, 325, 325e, 524td, 528e, 528i, 530i, 533i, 535i, 630CSi, 633CSi, 635CSi, 733i, 735i | 84-Up |
| Jaguar | Various Models | 87-Up |
| Lincoln | Continental | 84-Up |
| | Mark VII - 6 Cyl. -2.4 Diesel | |
| Volvo | 740GL, GLE w/Turbo, | 8/84-Up |
| | 760 w/Turbo | 85-Up |
| | 240 Series | 91-Up |
| ZF4HP24 - 4 Speed - Rear Wheel Drive | | |
| Audi | w/V8 (Europe Only) | 89-Up |
| BMW | 735i, 750iL, 850i | 90-Up |
| Jaguar | XJ6 - 4.0L, XJS - 4.0L | 87-Up |
| Rover | | 88-Up |
| Discovery | | 88-Up |

69010E



69010EB



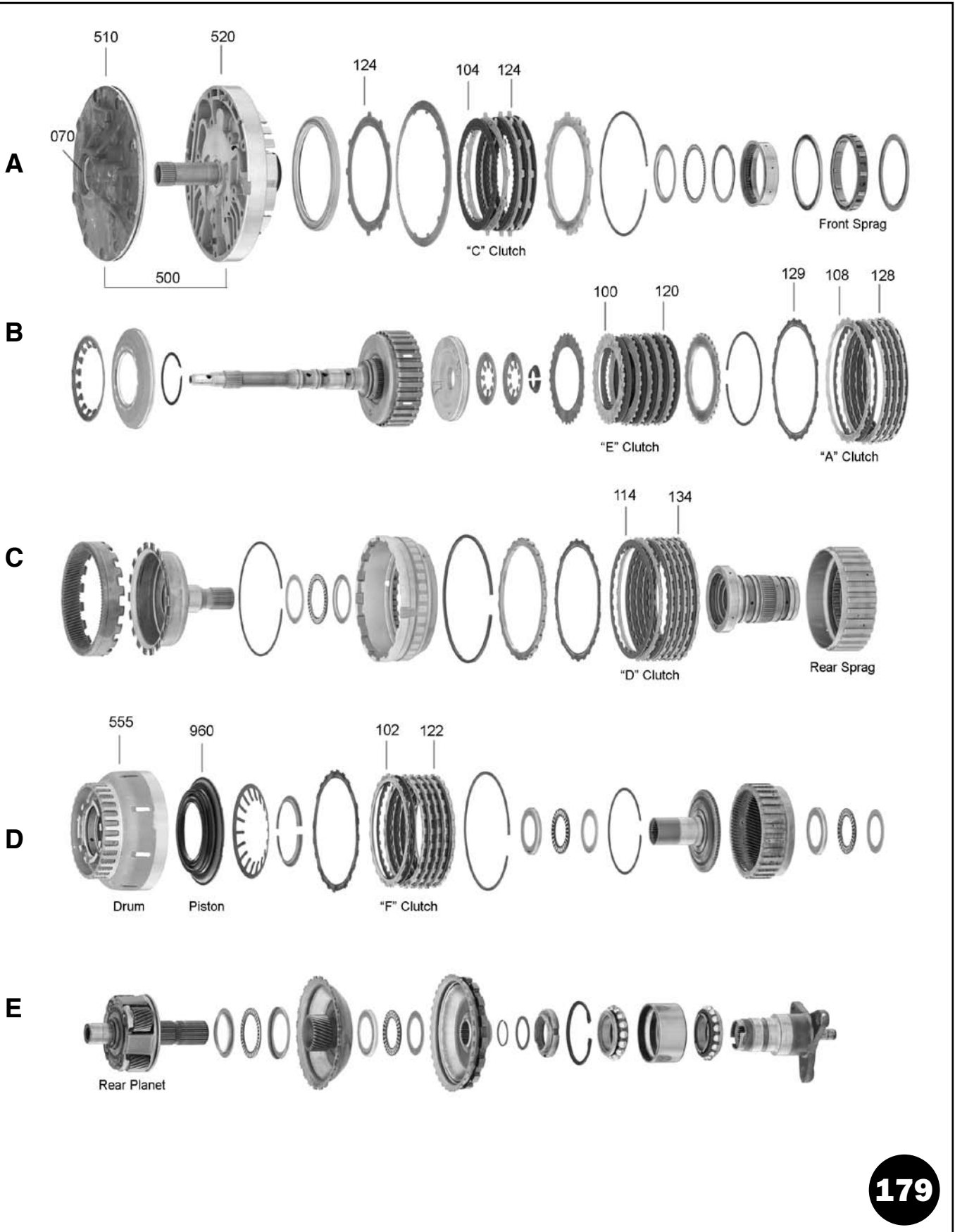
ZF4HP22

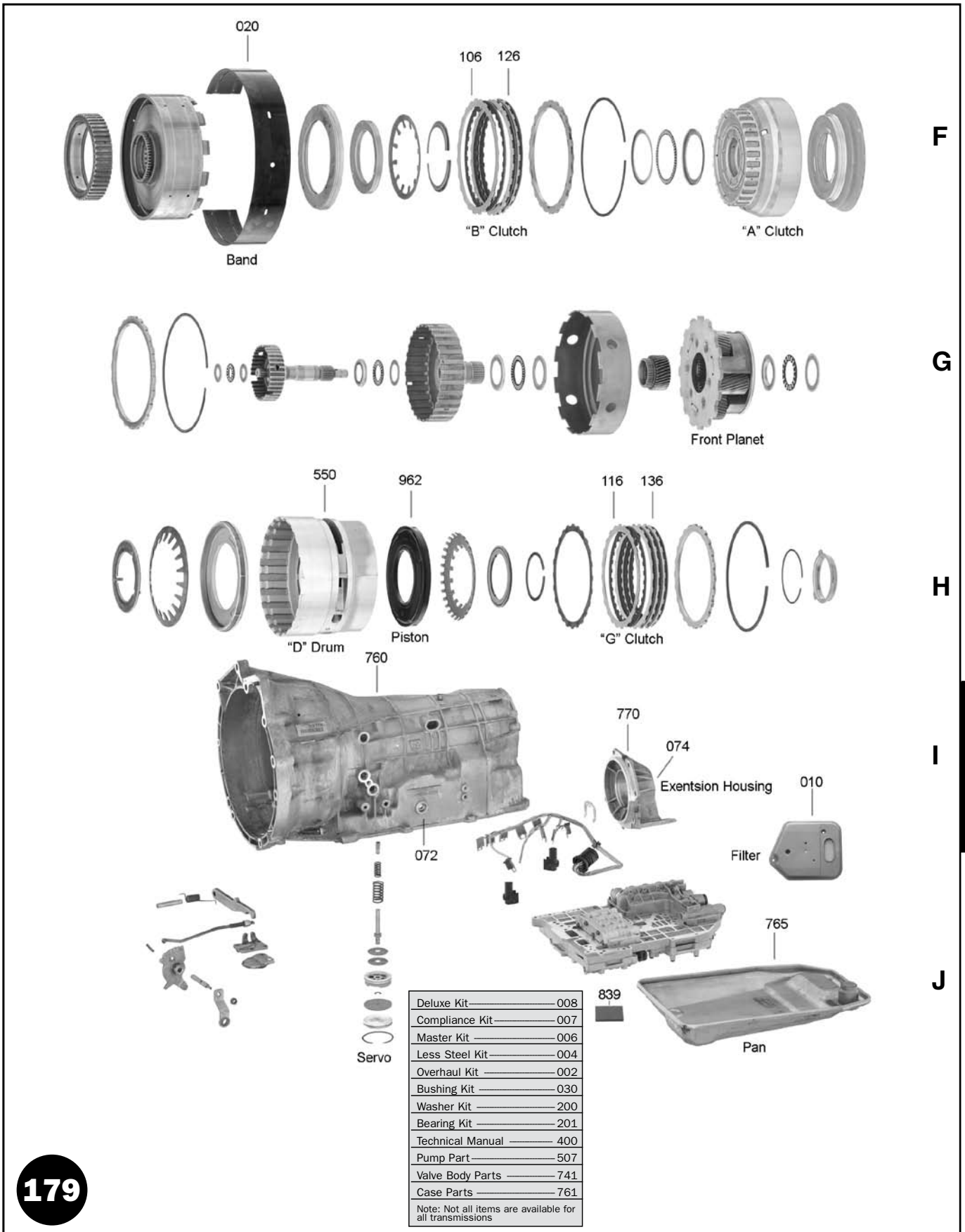
| ILL. | DESCRIPTION | QTY. | YEAR | PART NO. | REFERENCE NO. |
|---|---|------|-------|----------|---------------|
| MASTER OVERHAUL KITS (WITH STEELS) | | | | | |
| 006 | ZF3HP22..... | 1 | 76-84 | 69006 | K5600A |
| 006 | ZF4HP22 (1)..... | 1 | 84-Up | 69006A | K5600D |
| 006 | ZF4HP24..... | 1 | 88-Up | 69006E | K5600F |
| LESS STEEL KITS | | | | | |
| 004 | ZF3HP22..... | 1 | 76-84 | 69004 | K5600A-LS |
| 004 | ZF4HP22 (1)..... | 1 | 84-Up | 69004A | K5600D-LS |
| 004 | ZF4HP24..... | 1 | 88-Up | 69004E | K5600F-LS |
| OVERHAUL KITS (W/ RINGS & SEALS) | | | | | |
| 002 | ZF3HP22..... | 1 | 76-84 | 69002 | K56900A |
| 002 | ZF4HP22, ZF4HP24 (1)..... (1) For Land Rover, Also Sell 78074 Rear Seal) | 1 | 84-Up | 69002A | K56900D |
| FILTER KITS | | | | | |
| 011J | ZF3HP22..... | 1 | 76-84 | 69011 | FK56800A |
| 011J | ZF4HP22 (No Pick-Up Tube)..... | 1 | 84-Up | 69011A | FK56800B |
| 011J | ZF4HP22 (w/ 1 Pick-Up Tube)..... | 1 | 84-Up | 69011B | FK56800C |
| 011J | ZF4HP24 Land Rover..... | 1 | 88-Up | 69011E | FK56800D |
| 011J | ZF4HP24 Audi (2 1/2" Tube)..... | 1 | 90-94 | 69011EB | N/A |
| FILTERS | | | | | |
| 010J | ZF3HP22..... | 1 | 76-84 | 69010 | 56800A |
| 010J | ZF4HP22 (No Pick-Up Tube)..... | 1 | 84-Up | 69010A | 56800B |
| 010J | ZF4HP22 (w/ 1 Pick-Up Tube)..... | 1 | 84-Up | 69010B | 56800C |
| 010J | ZF4HP24 Land Rover..... | 1 | 88-Up | 69010E | 56800D |
| 010J | ZF4HP24 Audi (2 1/2" Tube)..... | 1 | 90-94 | 69010EB | N/A |
| BUSHINGS | | | | | |
| 034A | Pump (.507" Wide)..... | 1 | 76-93 | 69034 | 56005B |
| 034A | Pump (.664" Wide)..... | 1 | 94-Up | 69034B | N/A |
| 048A | Forward Drum, Center Support, & Governor Support..... | 3 | 76-84 | 69048 | 56003 |

| ILL. | DESCRIPTION | QTY. | YEAR | PART NO. | REFERENCE NO. |
|---|--|------|-------|----------|---------------|
| METAL CLAD SEALS | | | | | |
| 070A | Front..... | 1 | 76-Up | 69070 | 56200C |
| 072H | Manual Lever..... | 1 | 76-Up | 69072 | 56202 |
| 074E | Extension Housing (ZF3HP22)..... | 1 | 76-84 | 69074 | 56201B |
| 074E | Extension Housing (2 1/2" OD, BMW, Peugeot)..... | 1 | 84-Up | 69074 | 56201B |
| 074E | Extension Housing (Range Rover)..... | 1 | 84-Up | 78074 | N/A |
| 074E | Extension Housing (Lincoln, w/ Boot)..... | 1 | 84-Up | 56074B | 27695E |
| FRICITION PLATES | | | | | |
| 100I | Overdrive (40 T) (F Pack)..... | 4 | 84-Up | 69100 | 56106B |
| 102B | Direct Overrun (40 T) (E Pack)..... | 4 | 84-Up | 69100 | 56106B |
| 104B | Intermediate (24 T) (C Pack)..... | 4 | 76-Up | 69106 | 56102A |
| 106F | Direct (24 T) (B Pack)..... | 3-5 | 76-Up | 69106 | 56102A |
| 108F | Forward (34 T) (A Pack) (ZF3, ZF4HP22)..... | 4-5 | 76-Up | 69108 | 56103A |
| 108F | Forward (40 T) (A Pack) (ZF4HP24)..... | 5-6 | 88-Up | 69108E | 56106B |
| 110G | Reverse .061" (48 T) (D Pack) (ZF3, ZF4HP22)..... | 4-5 | 76-Up | 69104 | 56106A |
| 110G | Reverse .062" (58 T) (D Pack) (ZF4HP24)..... | 4-5 | 88-Up | 69104E | 56106C |
| STEEL PLATES | | | | | |
| 120I | Overdrive (24 T) (F Pack) (.082")..... | 4 | 84-Up | 69120 | 56101B |
| 122B | Direct Overrun (24 T) (E Pack) (.059")..... | 4 | 84-Up | 69134 | 56101A |
| 124B | Intermediate (.071") (C Pack)..... | 3-4 | 76-Up | 69126B | 56101 |
| 124B | Intermediate (.047") (C Pack)..... | AR | 76-Up | 69128C | 56101C |
| 124B | Intermediate (.047") (C Pack) (Waved)..... | AR | 76-Up | 69126CA | 56101W |
| 124B | Intermediate (.060") (C Pack)..... | AR | 76-Up | 69126A | 56101D |
| 124B | Intermediate (.082") (C Pack)..... | AR | 76-Up | 69126 | 56101E |
| 126F | Direct (.071") (B Pack)..... | 4 | 76-Up | 69126B | 56101 |
| 126F | Direct (.047") (B Pack)..... | AR | 76-Up | 69128C | 56101C |
| 126F | Direct (.047") (B Pack) (Waved)..... | AR | 76-Up | 69126CA | 56101W |
| 126F | Direct (.060") (B Pack)..... | AR | 76-Up | 69126A | 56101D |
| 126F | Direct (.082") (B Pack)..... | AR | 76-Up | 69126 | 56101E |
| 128F | Forward (.071") (A Pack) (ZF3, ZF4HP22)..... | 5-6 | 76-Up | 69128 | 56100 |
| 128F | Forward (.082") (A Pack) (ZF4HP24)..... | 4-6 | 88-Up | 69120 | 56101B |
| 129F | Forward (.040") (A Pack) (Waved) (ZF3, ZF4HP22)..... | 2 | 76-Up | 69129 | 56100B |
| 129F | Forward (.055") (A Pack) (Waved) (ZF4HP24)..... | 2 | 88-Up | 69129D | 56100C |
| 128F | Forward (.047") (A Pack) (Selective)..... | AR | 76-Up | 69128B | N/A |
| 128F | Forward (.060") (A Pack) (Selective)..... | AR | 76-Up | 69128A | N/A |
| 128F | Forward (.082") (A Pack) (Selective)..... | AR | 76-Up | 69128D | N/A |
| 130G | Reverse (.047") (D Pack) (ZF4HP24)..... | 5-6 | 88-Up | 69126D | 56101F |
| 130G | Reverse (.071") (D Pack) (ZF3, ZF4HP22)..... | 3-4 | 76-Up | 69126B | 56101 |
| 130G | Reverse (.047") (D Pack) (ZF3, ZF4HP22)..... | AR | 76-Up | 69128C | 56101C |
| 130G | Reverse (.047") (D Pack) (Waved)..... | AR | 76-Up | 69126CA | 56101W |
| 130G | Reverse (.060") (D Pack) (ZF3, ZF4HP22)..... | AR | 76-Up | 69126A | 56101D |
| 130G | Reverse (.060") (D Pack) (ZF4HP24)..... | 1 | 88-Up | 69126DA | 56101G |
| 130G | Reverse (.071") (D Pack) (ZF4HP24)..... | AR | 88-Up | 69126DB | 56101H |
| 130G | Reverse (.082") (D Pack) (ZF3, ZF4HP22)..... | AR | 76-Up | 69126 | 56101E |
| 130G | Reverse (.082") (D Pack) (ZF4HP24)..... | AR | 88-Up | 69126DC | 56101J |
| 130G | Reverse (.158") (D Pack) (ZF3, ZF4HP22)..... | AR | 76-Up | 69126CB | N/A |
| PRESSURE PLATES | | | | | |
| Prefix Key: D = OEM, A = Aftermarket New, R = Remanufactured | | | | | |
| 140I | Overdrive (F Pack)..... | 1 | 84-Up | 69140 | 56919 |
| 144B | Intermediate (C Pack)..... | 1 | 76-Up | 69144 | 56515 |
| 146F | Direct (B Pack)..... | 1 | 76-Up | 69146 | 56515 |
| 154D | Direct Overrun (E Pack)..... | 1 | 84-Up | 69154 | 56518 |

ZF3/ZF4HP22

| ILL. | DESCRIPTION | QTY. | YEAR | PART NO. | REFERENCE NO. |
|---|---|------|-------|----------|---------------|
| SEALING RINGS | | | | | |
| 175 | Ring Kit, ZF3HP22..... | 1 | 76-84 | 69175A | K56300 |
| 175 | Ring Kit, ZF4HP22, ZF4HP24..... | 1 | 84-Up | 69175B | K56300D |
| 177F | Ring, Forward Clutch (Bag of 3 Rings)..... | 3 | 84-Up | 69177T | N/A |
| THRUST WASHERS & BEARINGS | | | | | |
| 200 | Kit w/ Washers, Bearings, Snap Rings (ZF4HP22, ZF4HP24)..... | 1 | 84-Up | 69200K | K56500 |
| GASKETS & O-RINGS | | | | | |
| 300J | Gasket, Bottom Pan (Rubber) (ZF3HP22)..... | 1 | 76-84 | 69300 | 13620R |
| 300J | Gasket, Bottom Pan (Rubber) (ZF4HP22, ZF4HP24)..... | 1 | 84-Up | 69300A | 13630R |
| 305E | Gasket, Extension Housing (ZF3HP22)..... | 1 | 76-84 | 69305 | N/A |
| 305E | Gasket, Extension Housing (ZF4HP22, ZF4HP24)..... | 1 | 84-Up | 69305A | 13639 |
| 310A | Gasket, Pump Stator to Bell Housing (ZF3HP22)..... | 1 | 76-84 | 69310 | N/A |
| 310A | Gasket, Pump Stator to Case (ZF4HP22, ZF4HP24)..... | 1 | 84-Up | 69310B | 13637 |
| 311A | O-Ring, Pump (ZF3HP22)..... | 1 | 76-84 | 69311 | N/A |
| 311A | O-Ring, Pump (ZF4HP22, ZF4HP24)..... | 1 | 84-Up | 69311A | 13635 |
| TECHNICAL MANUALS | | | | | |
| 400 | Tech Manual (ZF4HP22, ZF4HP24)..... | 1 | 84-Up | 69400A | 56Y02 |
| ELECTRICAL COMPONENTS | | | | | |
| 420 | Solenoid Master Kit (4 Shift & 1 EPC) (BMW 8 Pin E7 Connector)..... | 1 | 83-89 | 69420K | 31A-360 |
| 420 | Solenoid Master Kit (4 Shift & 1 EPC) (Teckpak)..... | 1 | 83-89 | T69420K | 31T-ZF22 |
| 420 | Solenoid Master Kit (3 Shift & 1 EPC) (BMW 7 Pin E9 Connector)..... (Also Fits Audi, Jaguar, Land Rover, Porsche)..... | 1 | 89-Up | 69420AK | 31A-360A |
| 421 | Solenoid, Shift (Teckpak) (5 Solenoid Valve Body Only)..... | 4 | 83-89 | T69421 | 5T-361 |
| 421 | Solenoid, Shift (5 Solenoid Type)..... | 4 | 83-89 | 69421 | 5A-361 |
| 421 | Solenoid, Shift (4 Solenoid Type)..... | 3 | 89-Up | 69421A | 5A-361A |
| 431 | Solenoid, Pressure Regulator (Teckpak) (5 Solenoid VB Only)..... | 1 | 84-Up | T69431 | 5T-360 |
| 431 | Solenoid, Pressure Regulator..... | 1 | 84-Up | 69431 | 5A-360 |
| 431 | Solenoid, Pressure Regulator (Valve Housing)..... | 1 | 89-Up | 69431A | 5A-360A |
| 436 | Sensor, Input / Output Speed..... | 2 | 84-Up | 69436A | 20A-380 |
| 446 | Wire Harness, Internal (ZF4HP24)..... | 1 | 84-Up | 69446 | N/A |
| HARD PARTS | | | | | |
| Prefix Key: D = OEM, A = Aftermarket New, R = Remanufactured | | | | | |
| PUMP COMPONENTS | | | | | |
| 510A | Pump Body & Gears (Bushing Type) (ZF4)..... | 1 | 84-Up | 69510A | N/A |
| 510A | Pump Body & Gears (Roller Bearing Type) (ZF4)..... | 1 | 84-Up | 69510B | 56920 |
| 520A | Stator (Cast# 158) (16mm Cooler Line Fitting)..... | 1 | 84-Up | 69520C | 56922 |
| 529A | Shaft, Stator Tube (ZF4)..... | 1 | 84-Up | 69529 | 56969 |
| DRUMS & CLUTCH HUBS | | | | | |
| 550I | Overdrive (F Pack) (Hydraulic Units) (4 Clutch)..... | 1 | 84-Up | 69550A | 56925 |
| 554A | Forward (A Pack)..... | 1 | 84-Up | 69554A | 56926 |
| 555B | Direct (B Pack) (3 Clutch)..... | 1 | 84-Up | 69555 | 56933 |
| 555B | Direct (B Pack) (4 Clutch)..... | 1 | 84-Up | 69555A | N/A |
| 557D | Clutch Hub, Direct Overrun (Roller Type Sprag)..... | 1 | 84-Up | 69557 | 56958 |
| 574F | Clutch Hub, Forward Clutch (Bearing Type)..... | 1 | 84-Up | 69574A | N/A |
| 575F | Clutch Hub, Direct (B Pack)..... | 1 | 84-Up | 69575 | 56929 |





| | |
|------------------|-----|
| Deluxe Kit | 008 |
| Compliance Kit | 007 |
| Master Kit | 006 |
| Less Steel Kit | 004 |
| Overhaul Kit | 002 |
| Bushing Kit | 030 |
| Washer Kit | 200 |
| Bearing Kit | 201 |
| Technical Manual | 400 |
| Pump Part | 507 |
| Valve Body Parts | 741 |
| Case Parts | 761 |

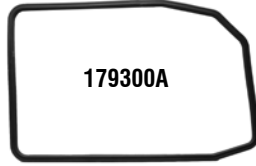
Note: Not all items are available for all transmissions

ZF5HP18

RWD 5 SPEED



179010A



179300A

| 5HP18 — 93-Up | | |
|---------------|-------------------|-------|
| BMW | 530ia & 530it E34 | 93-Up |
| | M3, E36 | 95-Up |
| | 320i | 93-96 |
| | 520 & 525 | 93-95 |

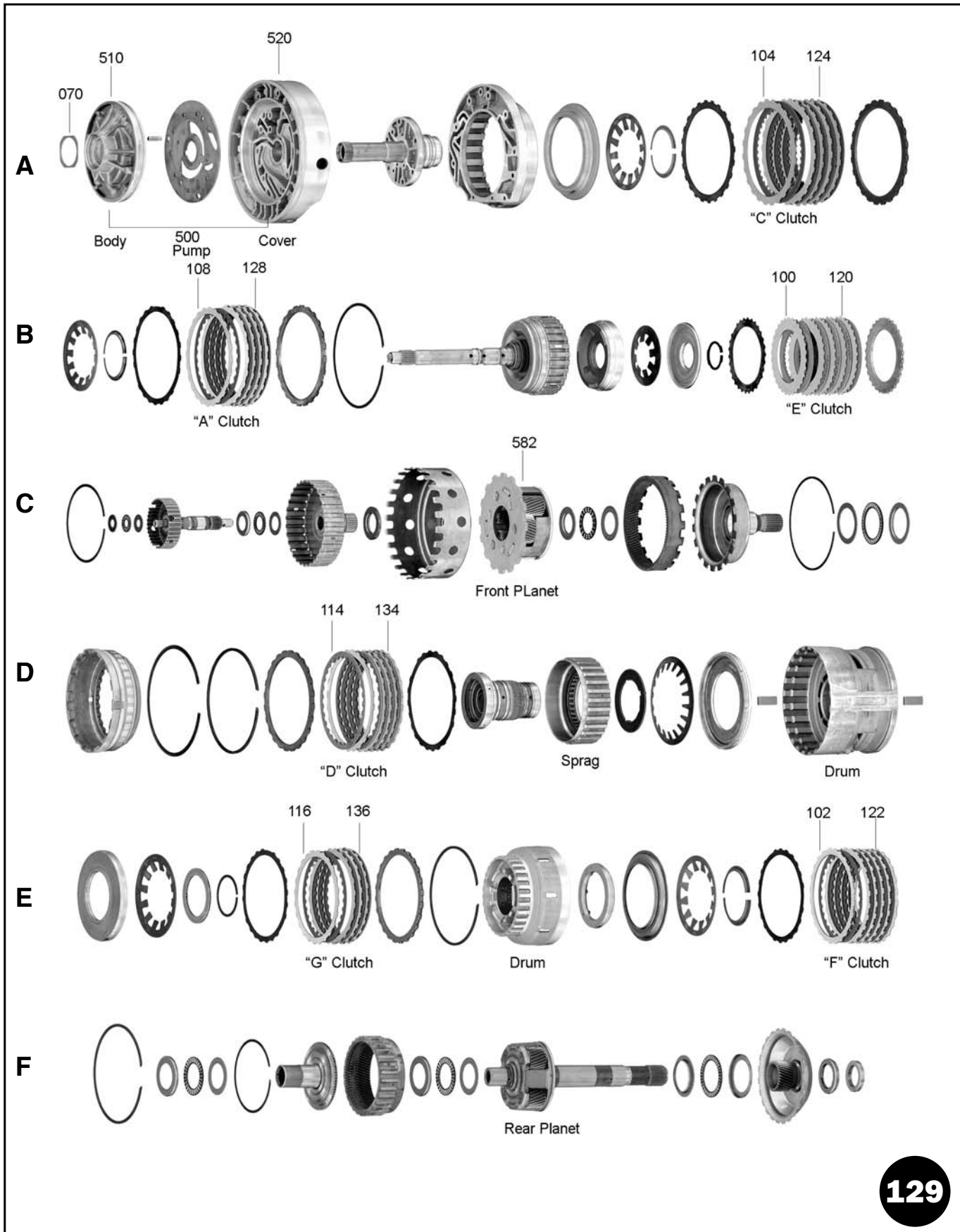
| ILL. | DESCRIPTION | QTY. | YEAR | PART NO. | REFERENCE NO. |
|---|--|------|-------|----------|---------------|
| MASTER OVERHAUL KITS (WITH STEELS) | | | | | |
| 006 | ZF5HP18 w/ Bonded Pistons | 1 | 93-Up | 179006A | K7600F |
| LESS STEEL KITS | | | | | |
| 004 | ZF5HP18 w/ Bonded Pistons | 1 | 93-Up | 179004A | K7600F-LS |
| OVERHAUL KITS (W/ RINGS & SEALS) | | | | | |
| 002 | ZF5HP18 w/o Bonded Pistons | 1 | 93-Up | 179002A | K76900F |
| FILTER KITS | | | | | |
| 011 | ZF5HP18..... | 1 | 93-Up | 179011A | FK76800F |
| FILTERS | | | | | |
| 010 | ZF5HP18..... | 1 | 93-Up | 179010A | 76800F |
| BANDS | | | | | |
| Prefix Key: B = Borg Warner, A = OEM (Exc. BW), N = All Other New, R = Relined | | | | | |
| 020 | Brake | 1 | 93-Up | 179020A | 76700F |
| BUSHINGS | | | | | |
| 030 | Bushing Kit, F Drum (2 piece Bronze) | 1 | 93-Up | 179030A | K76010F |
| METAL CLAD SEALS | | | | | |
| 070 | Front | 1 | 93-Up | 69070 | 56200C |
| 072 | Manual Lever | 1 | 93-Up | 69072 | 56202 |
| 074 | Extension Housing | 1 | 93-Up | 179074A | N/A |
| FRICITION PLATES | | | | | |
| 108 | "A" (Forward) | 4-5 | 93-Up | 79108E | 76103 |
| 106 | "B" (Reverse) | 2-3 | 93-Up | 79110E | 76104 |
| 104 | "C" (2nd)..... | 3-4 | 93-Up | 69104 | 56106A |
| 114 | "D" (Low & Reverse) | 4-6 | 93-Up | 79114E | 76108 |
| 100 | "E" (3-4 Clutch) | 4-5 | 93-Up | 79100E | 76102 |
| 102 | "F" (5th Overdrive)..... | 4 | 93-Up | 79104P | 76108A |
| 114 | "G" (5th Overdrive)..... | 3-4 | 93-Up | 79104P | 76108A |
| 119 | Friction Module | 1 | 93-Up | 179119A | K76100F |
| STEEL PLATES | | | | | |
| 128 | "A" (Forward) | 4-5 | 93-Up | 69128E | 76105 |
| 129 | "A" (Forward) (Waved) | 1 | 93-Up | 69129E | 76109 |
| 126 | "B" (Reverse) | 2-3 | 93-Up | 69128E | 76105 |
| 124 | "C" (2nd)..... | 2-3 | 93-Up | 69126 | 56101E |
| 124 | "C" (2nd) (Apply Plate) | 1 | 93-Up | 179124A | N/A |
| 124 | "C" (2nd) (Waved)..... | 1 | 93-Up | 69126CA | 56101W |
| 134 | "D" (Low & Reverse) | 5-6 | 93-Up | 69128E | 76105 |
| 120 | "E" (3-4 Clutch) | 4-5 | 93-Up | 79120E | 76107 |
| 122 | "F" (5th Overdrive) (.118") | 5 | 93-Up | 179122 | N/A |
| 134 | "G" (5th Overdrive) (.070") | 3-4 | 93-Up | 79124P | 76105A |
| 139 | Steel Module..... | 1 | 93-Up | 179139A | K76101F |

| ILL. | DESCRIPTION | QTY. | YEAR | PART NO. | REFERENCE NO. |
|--------------------------------------|---|------|-------|----------|---------------|
| VALVE BODY RECALIBRATION KITS | | | | | |
| 165 | Valve Body Kit (OE) | 1 | 93-Up | D179165 | K76908F |
| GASKETS & O-RINGS | | | | | |
| 300 | Gasket, Bottom Pan (Rubber) | 1 | 93-Up | 179300A | 13629FR |
| 320 | Gasket, Valve Body (Spec # Up-080)..... | 1 | 93-Up | 179320A | N/A |
| 320 | Gasket, Valve Body (Spec # Up-081)..... | 1 | 93-Up | 179320B | N/A |
| TECHNICAL MANUALS | | | | | |
| 400 | Tech Manual, Repair | 1 | 93-Up | 179400A | TM-HP18 |
| 400 | Tech Manual, Technical | 1 | 93-Up | 179400AF | TM-HP18T |
| ELECTRICAL COMPONENTS | | | | | |
| 420 | Solenoid Master Kit (BMW 520i) | 1 | 93-Up | 179420CK | 31A-362B |
| 420 | Solenoid Master Kit (BMW 525i) | 1 | 93-Up | 179420BK | 31A-362A |
| 420 | Solenoid Master Kit (BMW 530i) | 1 | 93-Up | 179420AK | 31A-362 |
| 421 | Solenoid, Shift (All) | 1 | 93-Up | 69421A | 5A-361A |
| 421 | Solenoid, Shift (BMW 520i, 530i) | 5 | 93-Up | 179421 | 5A-350 |
| 421 | Solenoid, Shift (BMW 525i)..... | 5 | 93-Up | 179421A | 5A-363B |
| 431 | Solenoid, EPC w/ Housing (7 Solenoid) (BMW 530) | 1 | 93-Up | 179431 | 5A-362 |
| 431 | Solenoid, EPC w/ Housing (7 Solenoid) (BMW 525) | 1 | 93-Up | 179431A | 5A-362A |
| 431 | Solenoid, EPC w/ Housing (7 Solenoid) (BMW 520) | 1 | 93-Up | 179431B | 5A-362B |
| MISCELLANEOUS COMPONENTS | | | | | |
| 507 | Valve, Manual..... | 1 | 93-Up | 179507MA | 56972T |
| 520 | Stator Support (Exc. 320i)..... | 1 | 93-Up | 179520 | 76969F |
| 530 | Pump Gears, Inner | 1 | 93-99 | 179530 | N/A |
| 550 | Drum "D" (functions as a Center Support)..... | 1 | 93-03 | 179550D | 76936F |
| 555 | Drum "F" (087, 088, 097, 099 Models)..... | 1 | 93-97 | 179550F | 76925G |
| 741 | Check Ball (.236" Plastic) (6.0mm) | 1 | 93-Up | 159741-5 | 13924P |
| 960 | Bonded Piston Kit..... | 1 | 93-Up | 179960K | N/A |
| 960 | Piston, F Clutch (Bonded)..... | 1 | 93-Up | 179960A | 76528F |
| 960 | Piston, G Clutch (Bonded)..... | 1 | 93-Up | 179960B | 76529F |

| TYPE | MAKE | DECAL (color) | PART # | MODELS | |
|--------------|------------|---------------|-------------------------|---|--|
| 5HP18 | All | Black | M465YD (Dextron) | 1056-000-092/093 & 088 & lower | Black Decal M465YD (Dextron) Transmission Fluid 5HP18/18A w/black tag |
| 5HP18 | All | Green | M465ZF5 | 1056-000-090/091 & 094 & Up | |
| 5HP18A | All | Black | M465YD (Dextron) | 1056-020-All | Black Decal Z465ZFB Transmission Fluid (20 litre container) 5HP30 w/black tag |
| 5HP19 | All | Green | M465ZF5 | 1060-000-All | |
| 5HP19FL | All | Green | M465ZF5 | 1060-030-All | Green Decal M465ZF5 Transmission Fluid (20 litre container) ZF5HP18, 19, 24, 30 w/green tag |
| 5HP19FLA | All | Green | M465ZF5 | 1060-040-All | |
| 5HP19HL | All | Green | M465ZF5 | 1060-050-All | NOTE: Do NOT mix M465ZF5 & M465ZFB |
| 5HP19HLA | All | Green | M465ZF5 | 1060-060-All | |
| 5HP24 | All | Green | M465ZF5 | 1058-000-All | |
| 5HP24A | All | Green | M465ZF5 | 1058-020-All | |
| 5HP30 | BMW | Black | M465ZFB | 1050-000-007/010/011/015/029/030 | |
| 5HP30 | BMW | Green | M465ZF5 | 1055-000-016/017/019/026/&031 & Up | |
| 5HP30 | Bentley | Green | M465ZF5 | 1050-000-All | |
| 5HP30 | RR | Green | M465ZF5 | 1050-000-All | |

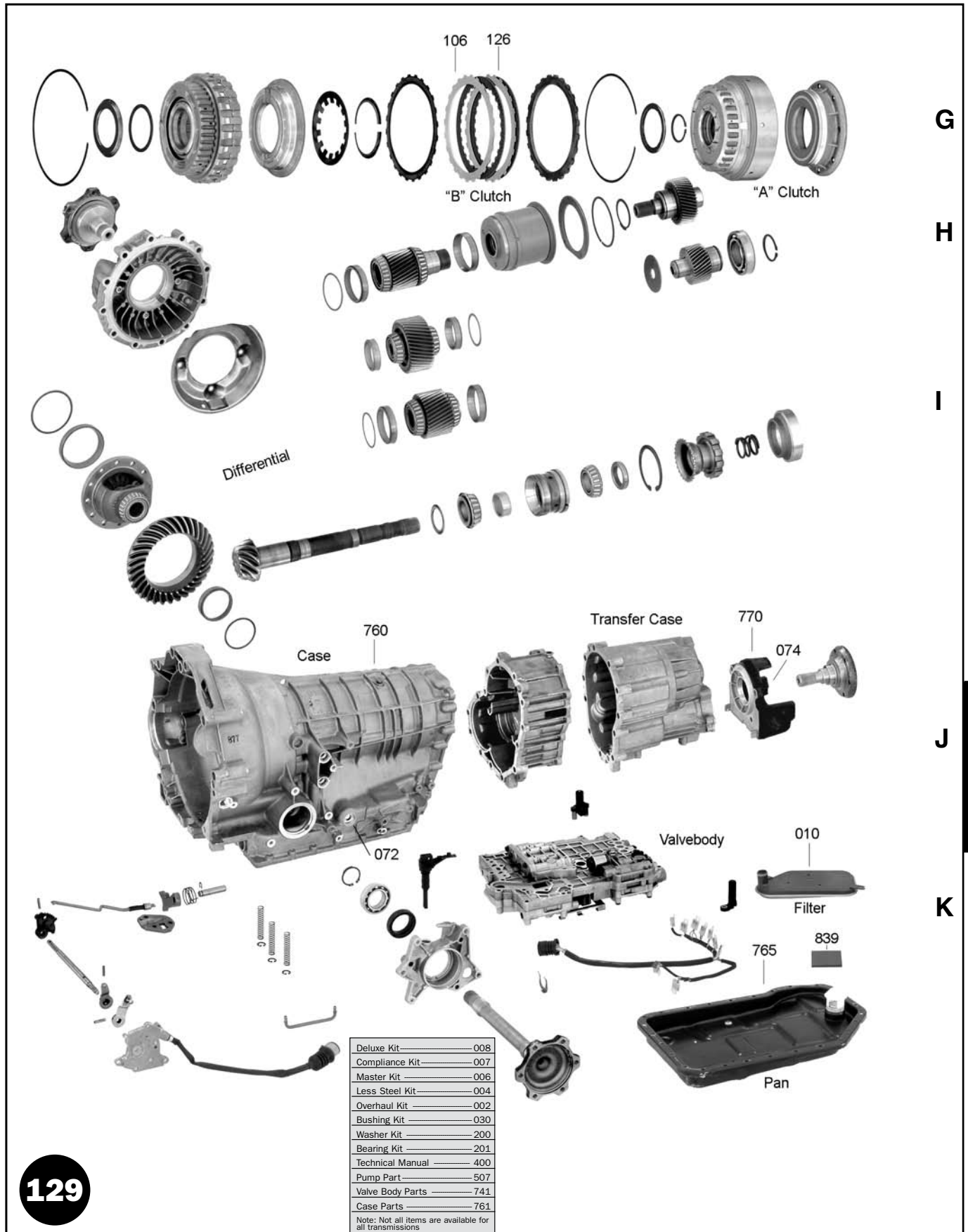
ZF5HP19 - RWD, ZF5HP19FL - FWD ZF5HP19FLA - AWD

5 SPEED



5 SPEED

ZF5HP19 - RWD, ZF5HP19FL - FWD ZF5HP19FLA - AWD



ZF5HP19FL

G

H

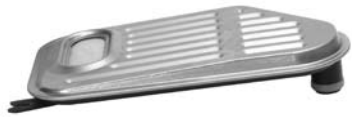
I

J

K

ZF5HP19 - RWD, ZF5HP19FL - FWD ZF5HP19FLA - AWD

5 SPEED

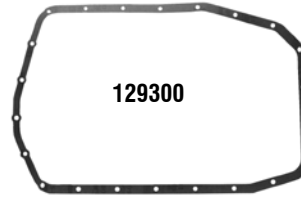


129010

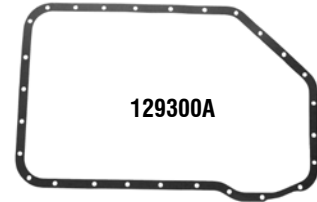


129010A

| | | |
|-----------------------------------|--|-------|
| 5HP19 - RWD | | |
| BMW 3/7 Series | | 97-Up |
| 5HP19FL - 95-Up Inline FWD | | |
| Audi A4, A8 | | 95-Up |
| A6 | | 97-Up |
| Porsche Boxster | | 96-97 |
| VW Passat | | 96-Up |
| 5HP19FLA - AWD | | |
| Audi/VW | | 95-Up |



129300



129300A

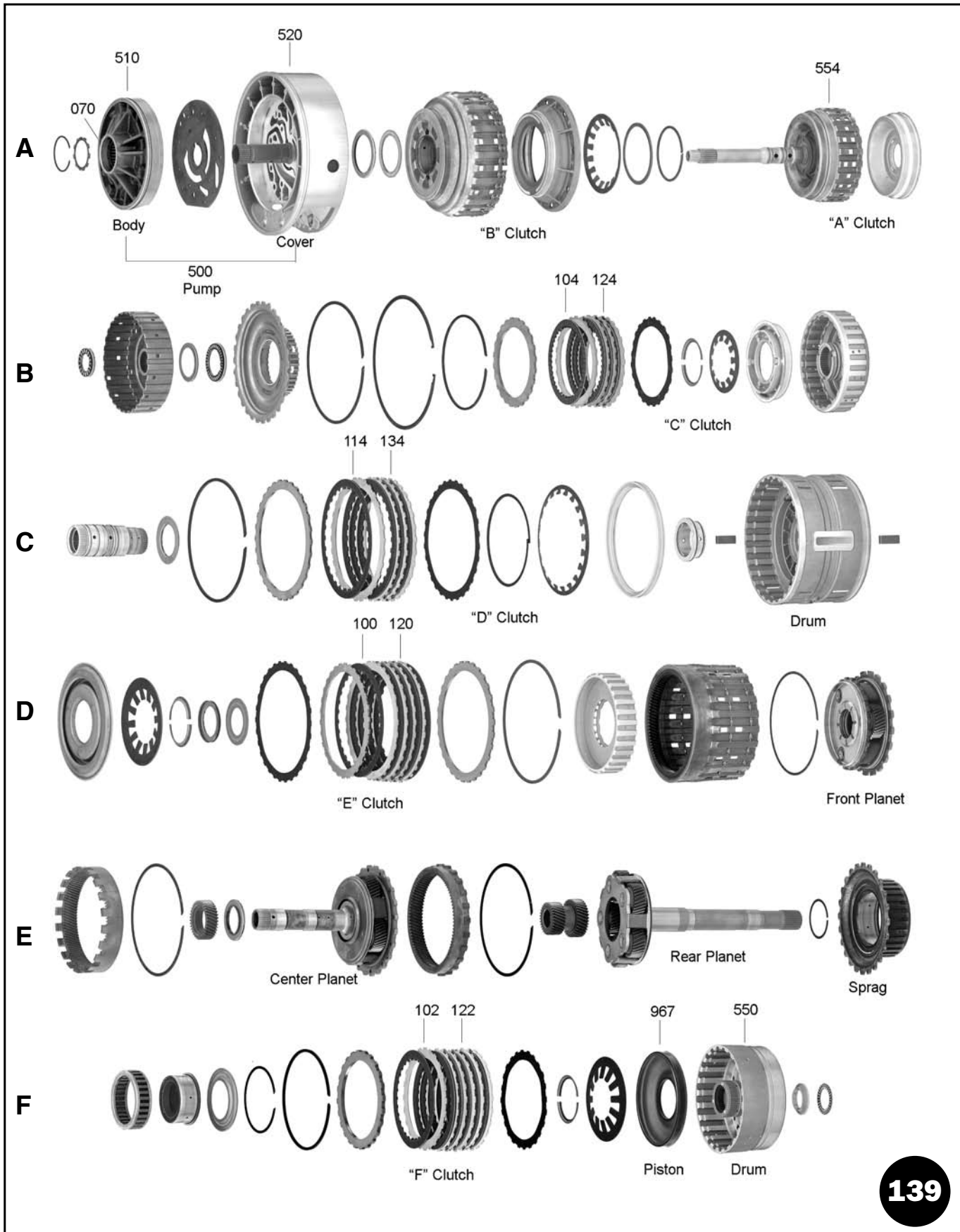
| ILL. | DESCRIPTION | QTY. | YEAR | PART NO. | REFERENCE NO. |
|---|---|------|-------|----------|---------------|
| MASTER OVERHAUL KITS (WITH STEELS) | | | | | |
| 006 | ZF5HP19 (Rwd) (BMW) (1)..... | 1 | 97-Up | 129006 | K7600P |
| 006 | ZF5HP19FL (Fwd) (Audi, VW, Porsche) | 1 | 96-99 | 129006A | K7600M |
| 006 | ZF5HP19FL (Fwd) (Audi, VW, Porsche) | 1 | 00-Up | 129006AA | N/A |
| 006 | ZF5HP19FLA (Awd) (Audi, VW 4wd) (Tag # 002, 007, 012, 013)..... | 1 | 96-99 | 129006B | K7600N |
| | (Tag # 018, 036, 044, 053, 063, 075, 087, 093, 100, 103)..... | | | | |
| 006 | ZF5HP19FLA (Awd) (Audi, VW 4wd) (Tag # 030, 035, 054, 065, 073, 101)..... | 1 | 00-Up | 129006BA | N/A |
| | (1) Kit fits 4/5 pack clutch design, to service 3 pack designs, order (4) 129124A | | | | |
| LESS STEEL KITS | | | | | |
| 004 | ZF5HP19 (Rwd) | 1 | 97-Up | 129004 | K7600P-LS |
| 004 | ZF5HP19FL (Fwd) | 1 | 95-Up | 129004A | K7600M-LS |
| 004 | ZF5HP19FLA (Awd) | 1 | 95-Up | 129004B | K7600N-LS |
| OVERHAUL KITS (W/ RINGS & SEALS) | | | | | |
| 002 | ZF5HP19 (Rwd) | 1 | 97-Up | 129002 | K76900P |
| 002 | ZF5HP19FL (Fwd) | 1 | 95-Up | 129002A | K76900M |
| 002 | ZF5HP19FLA (Awd) | 1 | 95-Up | 129002B | K76900N |
| FILTER KITS | | | | | |
| 011 | ZF5HP19..... | 1 | 97-Up | 129011 | FFK76800P |
| 011 | ZF5HP19FL, FLA | 1 | 95-Up | 129011A | FFK76800M |
| FILTERS | | | | | |
| 010 | ZF5HP19..... | 1 | 97-Up | 129010 | 76800P |
| 010 | ZF5HP19FL, FLA | 1 | 95-Up | 129010A | 76800M |
| BUSHINGS | | | | | |
| 030 | Bushing Kit, F Drum (2 Piece Bronze) | 1 | 95-Up | 179030A | K76010F |
| METAL CLAD SEALS | | | | | |
| 070 | Front Pump | 1 | 95-Up | 79070E | 76200 |
| FRICTION PLATES | | | | | |
| 108 | "A" Clutch | 5 | 95-Up | 79108E | 76103 |
| 106 | "B" Clutch | 2 | 95-Up | 129106 | N/A |
| 104 | "C" Clutch | 4 | 95-Up | 129104 | N/A |
| 114 | "D" Clutch | 6 | 95-Up | 79114E | 76108 |
| 100 | "E" Clutch..... | 5 | 95-Up | 79100E | 76102 |
| 102 | "F" Clutch..... | 5 | 95-Up | 79104P | 76108A |
| 116 | "G" Clutch | 4 | 95-Up | 79104P | 76108A |
| 119 | ZF5HP19..... | 1 | 97-Up | 129119 | K76100P |
| 119 | ZF5HP19FL, FLA | 1 | 95-Up | 129119B | K76100M |

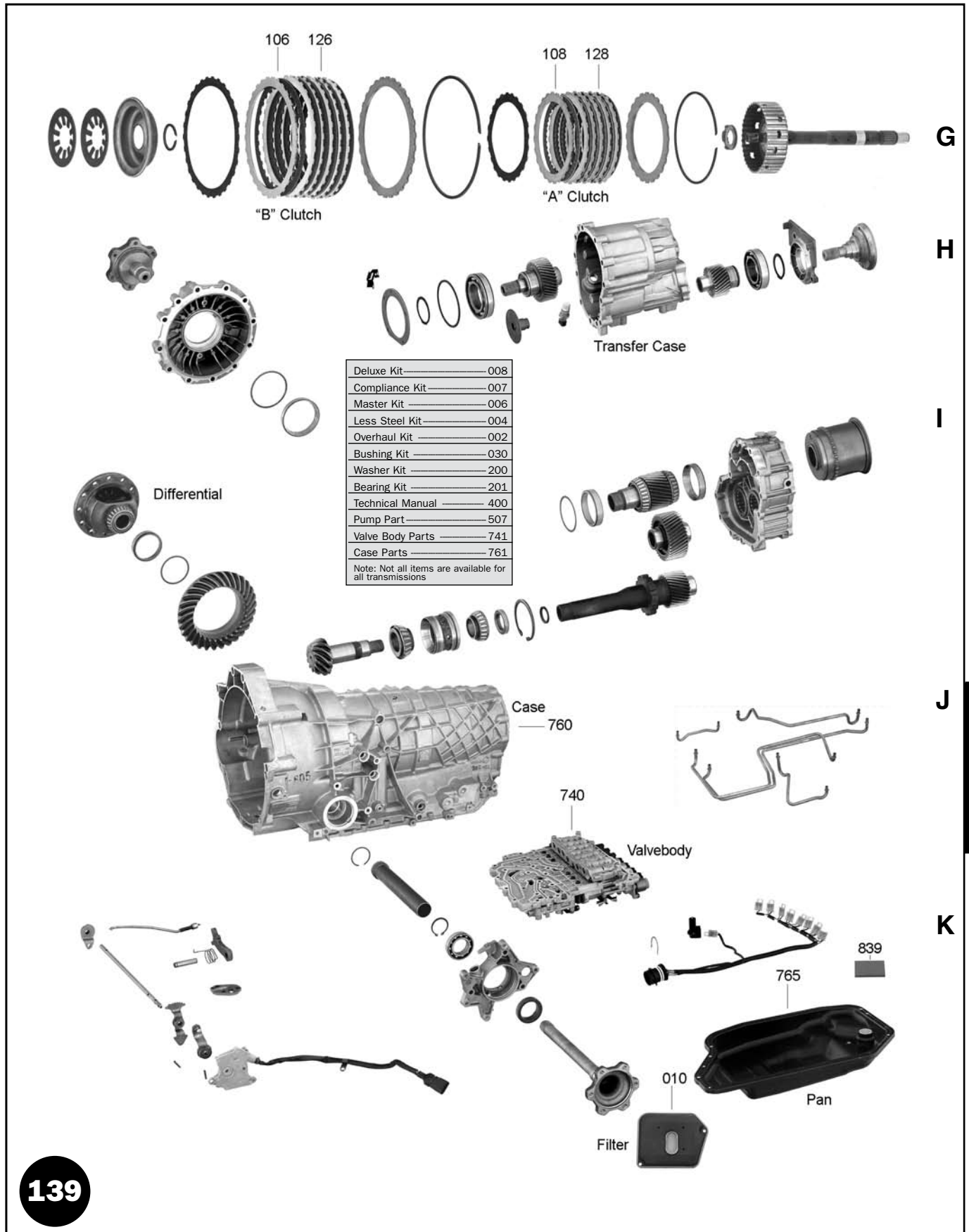
5 SPEED

ZF5HP19 - RWD, ZF5HP19FL - FWD ZF5HP19FLA - AWD

| ILL. | DESCRIPTION | QTY. | YEAR | PART NO. | REFERENCE NO. |
|--------------------------------------|--|------|-------|----------|---------------|
| STEEL PLATES | | | | | |
| 128 | "A" Clutch | 5 | 95-Up | 69128E | 76105 |
| 126 | "B" Clutch | 2 | 95-Up | 129126 | N/A |
| 124 | "C" Clutch (.093")..... | 4 | 95-Up | 129124 | N/A |
| 124 | "C" Clutch (.130")..... | 4 | 95-Up | 129124A | N/A |
| 134 | "D" Clutch | 6 | 95-Up | 69128E | 76105 |
| 120 | "E" Clutch..... | 5 | 95-Up | 79120E | 76107 |
| 122 | "F" Clutch..... | 5 | 95-Up | 129122 | N/A |
| 136 | "G" Clutch..... | 4 | 95-Up | 79124P | 76105A |
| 139 | ZF5HP19..... | 1 | 97-Up | 129139 | K76101P |
| 139 | ZF5HP19FL, FLA (Fwd / 2wd)..... | 1 | 95-99 | 129139A | K76101M |
| 139 | ZF5HP19FL, FLA (Fwd / 2wd)..... | 1 | 00-Up | 129139B | N/A |
| 139 | ZF5HP19FL, FLA (Awd / 4wd) (Tag # 002, 007, 012, 013) | 1 | 95-99 | 129139A | K76101M |
| 139 | (Tag # 018, 036, 044, 053, 063, 075, 087, 093, 100, 103) | | | | |
| 139 | ZF5HP19FL, FLA (Awd / 4wd) (Tag # 030, 035, 054, 065, 073, 101) | 1 | 00-Up | 129139B | N/A |
| VALVE BODY RECALIBRATION KITS | | | | | |
| 165 | Valve Body Kit, BMW Only (OEM) | 1 | 95-Up | 129165 | K76908P |
| GASKETS & O-RINGS | | | | | |
| 300 | Gasket, Pan (Rwd) (BMW) | 1 | 97-Up | 129300 | 13629PF |
| 300 | Gasket, Pan (Fwd, Awd) (Audi, VW) | 1 | 95-Up | 129300A | 13629MF |
| TECHNICAL MANUALS | | | | | |
| 400 | Repair Manual, ZF5HP19..... | 1 | 95-Up | 129400A | TM-HP19 |
| 400 | Repair Manual, ZF5HP19FL / FLA | 1 | 95-Up | 129400B | TM-HP19A |
| 400 | Technical Manual, Functional Description, ZF5HP19..... | 1 | 95-Up | 129400AF | TM-HP19T |
| 400 | Technical Manual, Functional Description, ZF5HP19FL / FLA | 1 | 95-Up | 129400BF | TM-HP19AT |
| ELECTRICAL COMPONENTS | | | | | |
| 420 | Solenoid Master Kit (BMW) | 1 | 95-Up | 129420AK | 31A-364 |
| 420 | Solenoid Master Kit (Audi & VW Speed Sensor on Case)..... | 1 | 95-Up | 129420AK | 31A-364 |
| 420 | Solenoid Master Kit (Audi & VW Speed Sensor on Valve Body) | 1 | 95-Up | 129420CK | 31A-364A |
| 420 | Solenoid Master Kit (Audi V8 & Porsche Exc. 1060 050 002)..... | 1 | 95-97 | 129420BK | 31A-364B |
| 420 | Solenoid Master Kit (Porsche 1060 050 002) | 1 | 95-Up | 129420CK | 31A-364A |
| 420 | Solenoid, Shift (Speed Sensor on Case) | 3 | 95-Up | 129420A | 5A-365 |
| 420 | Solenoid, Shift (Speed Sensor on Valve Body) | 3 | 95-Up | 129420 | 5A-365A |
| 431 | Solenoid, EPC (BMW & Audi/VW w/ Speed Sensor on Case) | 1 | 95-Up | 129431 | 5A-364 |
| 431 | Solenoid, EPC (Audi/VW w/ Speed Sensor on Valve Body)..... | 1 | 95-Up | 159431A | 5A-364A |
| 431 | Solenoid, EPC (Audi V8)..... | 1 | 95-Up | 129431B | 5A-364B |
| 431 | Solenoid, EPC (BMW & Audi/VW w/ Speed Sensor on Case) | 3 | 95-Up | 129431C | 5A-364C |
| 431 | Solenoid, EPC (Audi/VW w/ Speed Sensor on Valve Body & Audi V8)..... | 3 | 95-Up | 129431D | 5A-364D |
| MISCELLANEOUS COMPONENTS | | | | | |
| 510 | Pump Body & Gears (ZF5HP19) | 1 | 97-Up | 129510 | 76920P |
| 510 | Pump Body & Gears (ZF5HP19FL, FLA)..... | 1 | 95-03 | 129510A | 76920M |
| 507 | Pipe, Pump Body | 2 | 00-Up | 129507 | N/A |
| 550 | Drum, "D" (ZF5HP19) | 1 | 97-03 | 179550D | 76936F |
| 550 | Drum, "D" (ZF5HP19FL, FLA)..... | 1 | 95-03 | 129550D | N/A |
| 550 | Drum, "F" | 1 | 95-03 | 129550F | 76925M |
| 648 | Sprag Assembly, Hub & Low Sprag (Audi, VW) (repl OE Bearing Type)..... | 1 | 95-03 | 129648A | K76921N |
| 648 | Sprag Assembly, Hub & Low Sprag (BMW) (repl OE Bearing Type) | 1 | 97-02 | 129648B | K76961M |
| 962 | Piston, "F" Drum..... | 1 | 95-Up | 129962 | N/A |

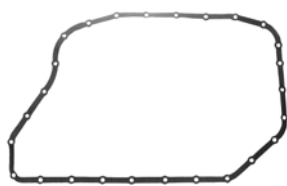
ZF5HP19FL







139300



139300A

| | |
|---------------|-------|
| 5HP24 | |
| BMW | 95-Up |
| Jaguar | 96-Up |
| 5HP24A | |
| Audi/AWD | 96-Up |



139010

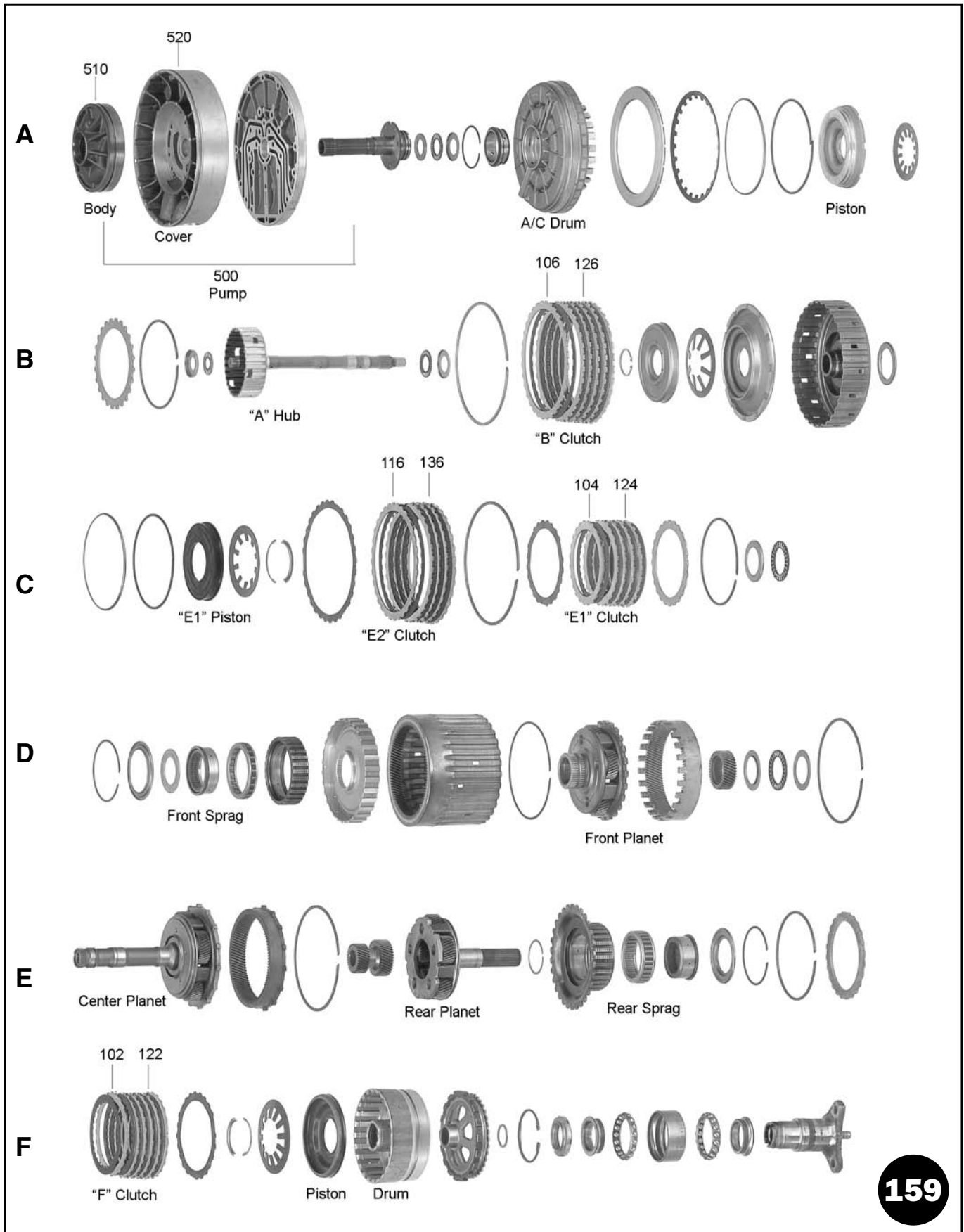


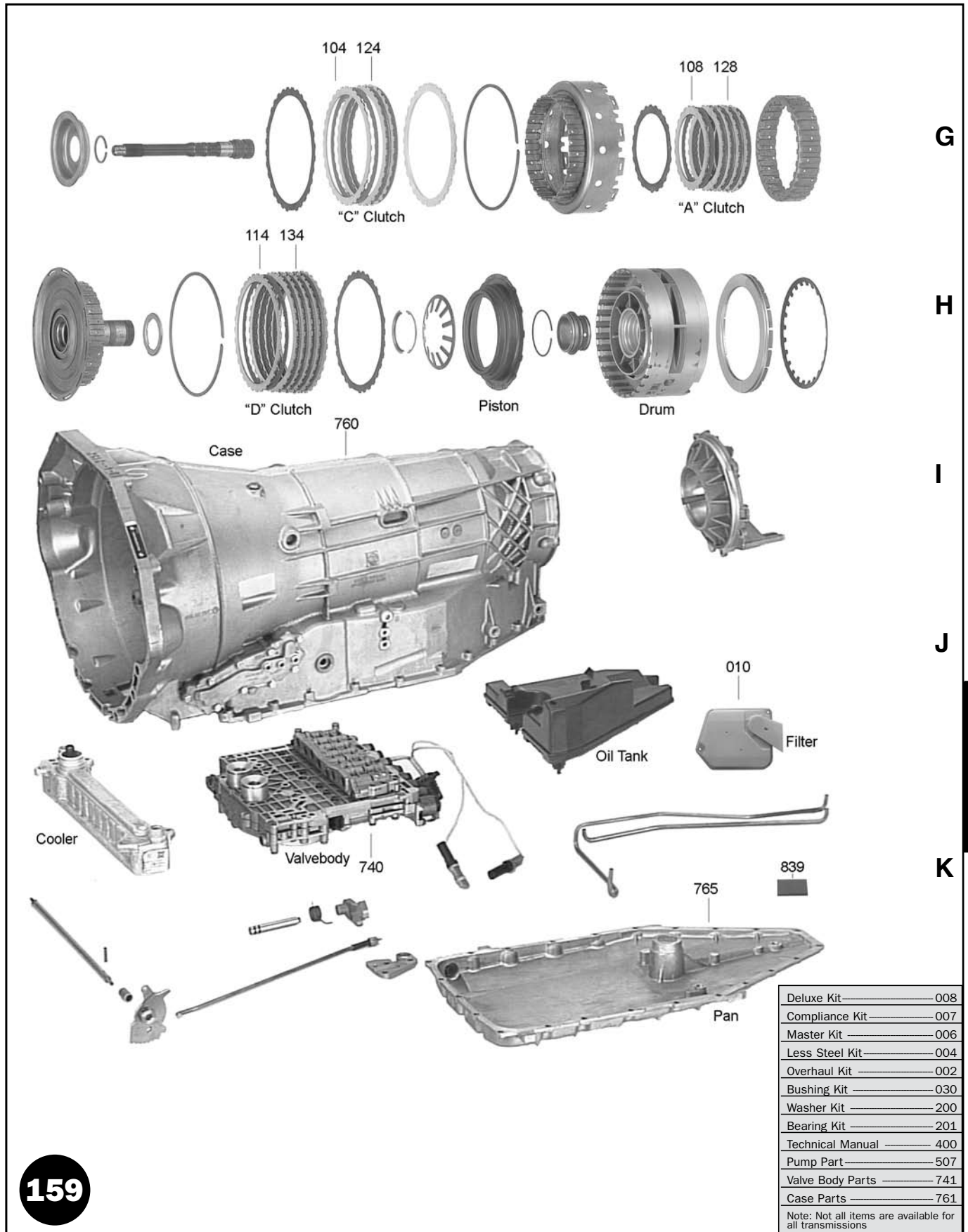
139010B

| ILL. | DESCRIPTION | QTY. | YEAR | PART NO. | REFERENCE NO. |
|--|--|------|-------|----------|---------------|
| MASTER OVERHAUL KITS (WITH STEELS) (1) (2) | | | | | |
| 006 | ZF5HP24 w/ Codes 005 & 009..... | 1 | 96-97 | 139006 | N/A |
| 006 | ZF5HP24 Exc. Codes 005 & 009 | 1 | 95-Up | 139006A | K5600M |
| 006 | ZF5HP24A w/ Codes 004 & 007..... | 1 | 1997 | 139006B | N/A |
| 006 | ZF5HP24A Exc. Codes 004 & 007 | 1 | 96-Up | 139006C | K5600N |
| LESS STEEL KITS (1) (2) | | | | | |
| 004 | ZF5HP24..... | 1 | 95-Up | 139004A | K5600M-LS |
| 004 | ZF5HP24A | 1 | 96-Up | 139004C | K5600N-LS |
| OVERHAUL KITS (W/ RINGS & SEALS) (2) | | | | | |
| 002 | ZF5HP24..... | 1 | 95-Up | 139002 | K56900M |
| 002 | ZF5HP24A | 1 | 96-Up | 139002A | K56900N |
| <p><i>(1) Master & Less Steel Kits come with Bonded Pistons</i> <i>(2) For ZF5HP24 Land Rover, also sell 134074 Rear Seal</i></p> | | | | | |
| FILTER KITS | | | | | |
| 011 | ZF5HP24..... | 1 | 95-Up | 139011 | FK56800M |
| 011 | ZF5HP24A | 1 | 96-Up | 139011B | FK56800N |
| FILTERS | | | | | |
| 010 | ZF5HP24..... | 1 | 95-Up | 139010 | 56800M |
| 010 | ZF5HP24A | 1 | 96-Up | 139010B | 56800N |
| METAL CLAD SEALS | | | | | |
| 070 | Front Pump | 1 | 95-Up | 69070 | 56200C |
| 074 | Extension Housing, Land Rover | 1 | 03-Up | 134074 | 41201F |
| FRICTION PLATES | | | | | |
| 108 | "A" Clutch | 6 | 95-Up | 69100 | 56106B |
| 106 | "B" Clutch | 7 | 95-Up | 139106 | N/A |
| 104 | "C" Clutch | 4 | 95-Up | 69100 | 56106B |
| 114 | "D" Clutch | 4 | 95-Up | 139106 | N/A |
| 100 | "E" Clutch..... | 5 | 95-Up | 139106 | N/A |
| 102 | "F" Clutch..... | 7 | 95-Up | 159108 | 56103T |
| 119 | Friction Module | 1 | 95-Up | 139119A | K56100M |
| STEEL PLATES | | | | | |
| 128 | "A" Clutch | 6 | 95-Up | 139128 | N/A |
| 126 | "B" Clutch | 7 | 95-Up | 139126 | N/A |
| 124 | "C" Clutch | 4 | 95-Up | 139128 | N/A |
| 134 | "D" Clutch | 4 | 95-Up | 139134 | N/A |
| 120 | "E" Clutch..... | 5 | 95-Up | 139120 | N/A |
| 122 | "F" Clutch..... | 7 | 95-Up | 159124 | N/A |
| 139 | ZF5HP24 (Trans Codes 005 & 009), ZF5HP24A (Trans Codes 004 & 007)..... | 1 | 96-97 | 139139 | K56101N |
| 139 | ZF5HP24 (Exc. Trans Codes 005 & 009), ZF5HP24A (Exc. Trans Codes 004 & 007) .. | 1 | 96-Up | 139139A | K56101M |

| ILL. | DESCRIPTION | QTY. | YEAR | PART NO. | REFERENCE NO. |
|--------------------------------------|--|------|-------|----------|---------------|
| VALVE BODY RECALIBRATION KITS | | | | | |
| 165 | Valve Body Kit, ZF5HP24 (OEM) | 1 | 95-Up | D139165 | K56908M |
| GASKETS & O-RINGS | | | | | |
| 300 | Gasket, Pan (ZF5HP24) | 1 | 95-Up | 139300 | 13630MF |
| 300 | Gasket, Pan (ZF5HP24A) | 1 | 96-Up | 139300A | 13630NF |
| TECHNICAL MANUALS | | | | | |
| 400 | Repair Manual, ZF5HP24 | 1 | 95-Up | 139400A | TM-HP24 |
| 400 | Repair Manual, ZF5HP24A | 1 | 95-Up | 139400B | TM-HP24A |
| 400 | Technical Manual, Functional (All) | 1 | 95-Up | 139400A | N/A |
| ELECTRICAL COMPONENTS | | | | | |
| 420 | Solenoid Master Kit (BMW to 018) (Jaguar to 024) | 1 | 95-98 | 129420CK | 31A-364A |
| 420 | Solenoid Master Kit (Audi) (BMW from 020) (Jaguar from 026) | 1 | 98-Up | 129420BK | 31A-364B |
| 420 | Solenoid, Shift (All) | 3 | 95-Up | 129420 | 5A-365A |
| 431 | Solenoid, EPC (BMW to 018) (Jaguar to 024) | 1 | 95-98 | 129431 | 5A-364 |
| 431 | Solenoid, EPC (Audi) (BMW from 020) (Jaguar from 026) | 1 | 98-Up | 159431A | 5A-364A |
| 431 | Solenoid, EPC (All) | 4 | 95-Up | 129431D | 5A-364D |
| 436 | Sensor, Input & Output Speed (ZF5HP24 Only) | 2 | 95-Up | 69436A | 20A-380 |
| MISCELLANEOUS COMPONENTS | | | | | |
| 510 | Pump Body & Gears (ZF5HP24) | 1 | 95-Up | 139510 | 56920M |
| 510 | Pump Body & Gears (ZF5HP24A) | 1 | 96-Up | 139510A | 56920N |
| 544 | Pump Plate, Intermediate (ZF5HP24) | 1 | 95-Up | 139544 | N/A |
| 544 | Pump Plate, Intermediate (ZF5HP24A) | 1 | 96-Up | 139544A | N/A |
| 550 | Drum, "F" | 1 | 95-Up | 139550F | N/A |
| 554 | Drum, "A" | 1 | 95-Up | 139554A | 56958M |
| 570 | Hub w/ Shaft (ZF5HP24) | 1 | 95-Up | 139570 | N/A |
| 570 | Hub w/ Shaft (ZF5HP24A) | 1 | 96-Up | 139570B | N/A |
| 670 | Input Shaft, Sun Gear Type | 1 | 95-Up | 139670 | N/A |
| 740 | Valve Body (Premium) ZF5HP24 (BMW, Jaguar) | 1 | 95-Up | 139740-1 | P56990M |
| 740 | Valve Body (Premium) ZF5HP24A (Audi, VW) | 1 | 96-Up | 139740-2 | P56990N |
| 770 | Extension Housing | 1 | 97-01 | 139770 | N/A |
| 927 | Piston, Accumulator (Plastic) (ZF5HP24) | 2 | 96-Up | 139927 | N/A |
| 927 | Piston, Accumulator (Aluminum) (ZF5HP24A) (Will Replace Plastic) | 2 | 96-Up | 139927A | N/A |
| 962 | Piston, "E" Clutch (fits in the "D" Cylinder) | 1 | 95-Up | 139962 | N/A |
| 967 | Piston, "F" Clutch (Bonded) | 1 | 95-Up | 139967 | 56530T |
| 992 | Shaft, Shift Selector | 1 | 95-Up | 139992 | N/A |
| NOTES | | | | | |
| | | | | | |
| | | | | | |
| | | | | | |
| | | | | | |
| | | | | | |
| | | | | | |
| | | | | | |
| | | | | | |
| | | | | | |
| | | | | | |

ZF5HP24A





G

H

I

J

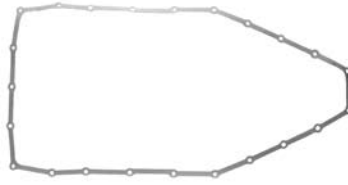
K

ZF5HP30

| | |
|---|-----|
| Deluxe Kit | 008 |
| Compliance Kit | 007 |
| Master Kit | 006 |
| Less Steel Kit | 004 |
| Overhaul Kit | 002 |
| Bushing Kit | 030 |
| Washer Kit | 200 |
| Bearing Kit | 201 |
| Technical Manual | 400 |
| Pump Part | 507 |
| Valve Body Parts | 741 |
| Case Parts | 761 |
| Note: Not all items are available for all transmissions | |



159010A



159300

| 5HP30 — 91-Up | | |
|---------------|-----------------------------|-------|
| BMW | 840cia E31 | 92-96 |
| | 740ia & 740il E38 | 94-97 |
| | 750il & 850cia E38 & E31 | 94-Up |
| | 540ia E34, 740ia, 740il E32 | 91-95 |
| Jaguar | XJR | 98 |

| ILL. | DESCRIPTION | QTY. | YEAR | PART NO. | REFERENCE NO. |
|---|---|-------|-------|----------|---------------|
| MASTER OVERHAUL KITS (WITH STEELS) | | | | | |
| 006 | ZF5HP30 (w/ Bonded Pistons) | 1 | 91-Up | 159006A | K5600T |
| LESS STEEL KITS | | | | | |
| 004 | ZF5HP30 (w/ Bonded Pistons) | 1 | 91-Up | 159004A | K5600T-LS |
| OVERHAUL KITS (W/ RINGS & SEALS) | | | | | |
| 002 | ZF5HP30..... | 1 | 91-Up | 159002A | K56900T |
| FILTER KITS | | | | | |
| 011 | ZF5HP30..... | 1 | 91-Up | 159011A | FFK56800T |
| FILTERS | | | | | |
| 010 | ZF5HP30..... | 1 | 91-Up | 159010A | 56800T |
| METAL CLAD SEALS | | | | | |
| 070 | Front Pump | 1 | 91-Up | 69070 | 56200C |
| FRICITION PLATES | | | | | |
| 108 | A, E1, F (5.63" OD) | 16-17 | 91-Up | 159108 | 56103T |
| 106 | B, C, D, E2 (8.00" OD) | 13-14 | 91-Up | 159106 | 56102T |
| N.I. | Friction Module | 1 | 91-Up | 159119A | K56100T |
| STEEL PLATES | | | | | |
| 128 | A Clutch (27 T) | 5 | 91-Up | 159128 | N/A |
| 126 | B, C, D, E2 (32 T) | 14-16 | 91-Up | 159126 | N/A |
| 124 | E1, F (24 T) | 11-12 | 91-Up | 159124 | N/A |
| 139 | Steel Module | 1 | 91-Up | 159139A | K56101T |
| PRESSURE PLATES | | | | | |
| Prefix Key: D = OEM, A = Aftermarket New, R = Remanufactured | | | | | |
| 144 | C Clutch (2nd Design) | 1 | 91-Up | 159144 | 56515T |
| VALVE BODY RECALIBRATION KITS | | | | | |
| 165 | Valve Body Kit..... | 1 | 91-Up | 159165 | K56908T |
| GASKETS & O-RINGS | | | | | |
| 300 | Gasket, Pan..... | 1 | 91-Up | 159300 | 13630TF |
| 320 | Gasket, Valve Body (Models 308, 309, 312) | 1 | 91-Up | 159320 | 13638 |
| 320 | Gasket, Valve Body (Models 316-Up) | 1 | 91-Up | 159320A | 13638A |
| TECHNICAL MANUALS | | | | | |
| 400 | Tech Manual, Repair | 1 | 91-Up | 159400A | TM-HP30 |
| 400 | Tech Manual, Functional | 1 | 91-Up | 159400AF | TM-HP30T |
| 400 | Tech Manual, Valve Body Repair | 1 | 91-Up | 159400V | N/A |

RWD 5 SPEED

ZF5HP30

| ILL. | DESCRIPTION | QTY. | YEAR | PART NO. | REFERENCE NO. |
|---------------------------------|--|------|-------|----------|---------------|
| ELECTRICAL COMPONENTS | | | | | |
| 420 | Solenoid Master Kit (BMW V8 Engine) | 1 | 91-Up | 159420K | 31A-366 |
| 420 | Solenoid Master Kit (All Exc. BMW V8 Engine) | 1 | 91-Up | 159420AK | 31A-366A |
| 420 | Solenoid, Shift (All) | 3 | 91-Up | 129420 | 5A-365A |
| 431 | Solenoid, EPC (BMW V8) | 1 | 91-Up | 159431 | 5A-366 |
| 431 | Solenoid, EPC (BMW V12) | 1 | 91-Up | 159431A | 5A-364A |
| 431 | Solenoid, EPC (All) | 4 | 91-Up | 159431B | 5A-367 |
| 436 | Sensor, Input & Output Speed | 2 | 91-Up | 69436A | 20A-380 |
| MISCELLANEOUS COMPONENTS | | | | | |
| 507 | Valve, Pressure Regulator | 1 | 91-Up | 159507PA | N/A |
| 510 | Pump Body & Gears | 1 | 91-Up | 159510 | N/A |
| 550 | Drum, "A" | 1 | 91-Up | 159550A | 56926T |
| 550 | Drum, "C" | 1 | 91-Up | 159550A | 56926T |
| 550 | Drum, "F" | 1 | 91-Up | 159550F | 56925T |
| 740 | Valve Body (Premium) | 1 | 91-Up | 159740-1 | P56990T |
| 741 | Check Ball (.236" Plastic) (6.0mm) | 1 | 91-Up | 159741-5 | 13924P |
| 960 | Bonded Piston Kit | 1 | 91-Up | 159960K | N/A |
| 963 | Piston, "D" (Bonded) | 1 | 91-Up | 139963 | 56528T |
| 962 | Piston, "E1" (Bonded) | 1 | 91-Up | 139962 | 56529T |
| 967 | Piston, "F" (Bonded) | 1 | 91-Up | 139967 | 56530T |

ZF6HP19/19A (ZF6HP26 - See Ford Section)

RWD 6 SPEED

BMW E60 - 525i/530i 02-Up 6HP19 AUDI/VW E60 - 525i/530i 04-Up 6HP19A

| ILL. | DESCRIPTION | QTY. | YEAR | PART NO. | REFERENCE NO. |
|---|--|------|-------|----------|---------------|
| MASTER OVERHAUL KITS (WITH STEELS) | | | | | |
| 006 | ZF6HP19 | 1 | 02-Up | 55006 | K7000A |
| 006 | ZF6HP19A | 1 | 04-Up | 55006A | K7000C |
| LESS STEEL KITS | | | | | |
| 004 | ZF6HP19 | 1 | 02-Up | 55004 | K7000A-LS |
| 004 | ZF6HP19A | 1 | 04-Up | 55004A | K7000C-LS |
| OVERHAUL KITS (W/ RINGS & SEALS) | | | | | |
| 002 | ZF6HP19 | 1 | 02-Up | 55002 | K70900A |
| 002 | ZF6HP19A | 1 | 04-Up | 55002A | K70900C |
| FILTERS | | | | | |
| 010 | ZF6HP19 (Filter included with Pan) | 1 | 02-Up | N/A | N/A |
| 010 | ZF6HP19A | 1 | 04-Up | 55010 | 70800C |
| PAN GASKETS | | | | | |
| 300 | ZF6HP19 | 1 | 02-Up | 55300 | 13643 |
| 300 | ZF6HP19A | 1 | 04-Up | 55300A | 13643B |

ZF5HP30